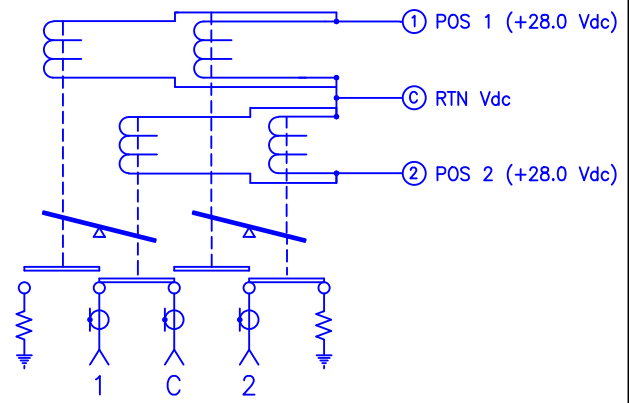
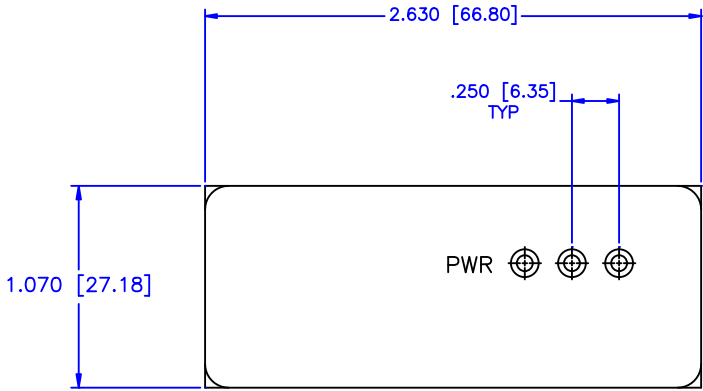
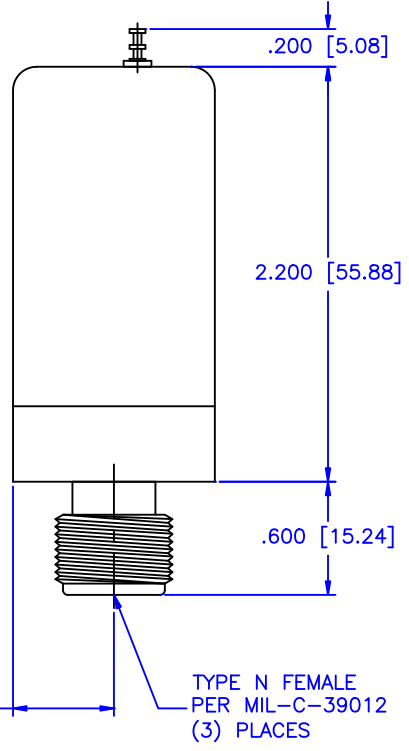
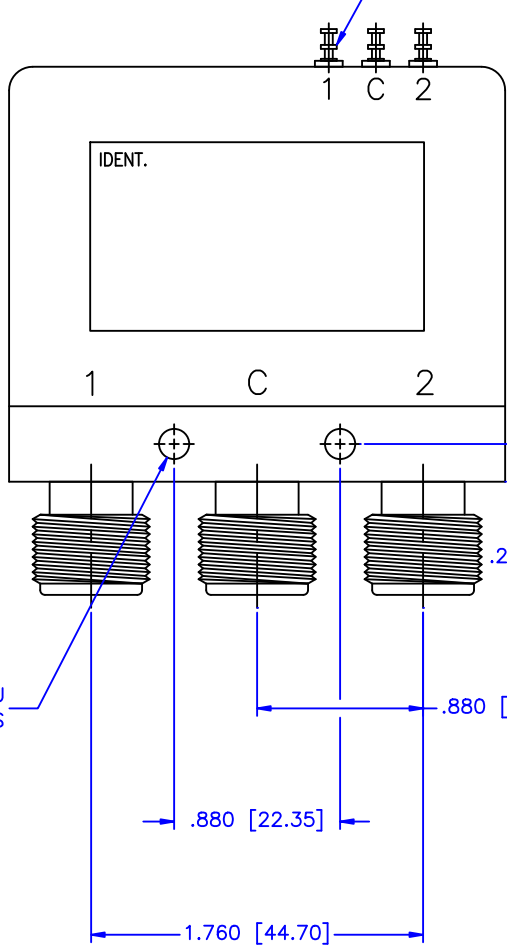


REVISIONS				
ZONE	REV	DESCRIPTION	DATE	APPROVED
	0	ORIGINAL RELEASE	8/25/00	



SOLDER TERMINALS



MATERIAL:			MICROWAVE COMMUNICATIONS LABORATORIES INC. 7255 30TH AVE. N. SAINT PETERSBURG, FL 33710 TEL: (727) 344-6254 FAX: (727) 381-6116 http://WWW.MCLI.COM		SCALE: N/A
			UNLESS OTHERWISE SPECIFIED: TOLERANCES IN (INCHES) OR [mm] (MILLIMETERS) FRACTIONS: $\pm 1/64$ DECIMALS: $\pm .01 \pm .005$ ANGLE: $\pm 1/2^\circ$		SHEET: N/A
DRAWN: Paiboon Luekhamhan		DATE: 08-11-2003	DRAWING TITLE: RF SWITCHES		
APPROVED: T. Nguyen		DATE: 08-11-2003	PART NO. K6-2-L		
		PROPRIETARY NOTICE: THE INFORMATION IN THIS DRAWING IS PROPRIETARY AND SHALL NOT BE USED OR DISCLOSED WITHOUT WRITTEN PERMISSION FROM MICROWAVE COMMUNICATIONS LABORATORIES INC. (MCLI)	CAGE CODE: OD2L5	SIZE: V	REV: N/A
		THIRD ANGLE PROJECTION	DO NOT SCALE THE DRAWING		DWG NO. 82214