

30 MHz < Fco < 34.99 MHz

Low Pass

Slope 1.3 x Fco

Stopband Limit 6000 MHz

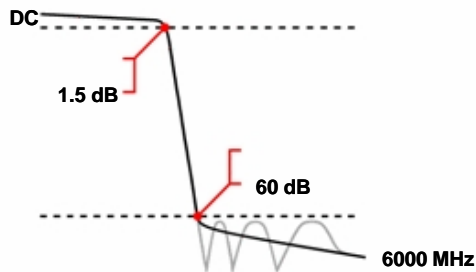
WLK7-__SS

Attenuation 60 dB

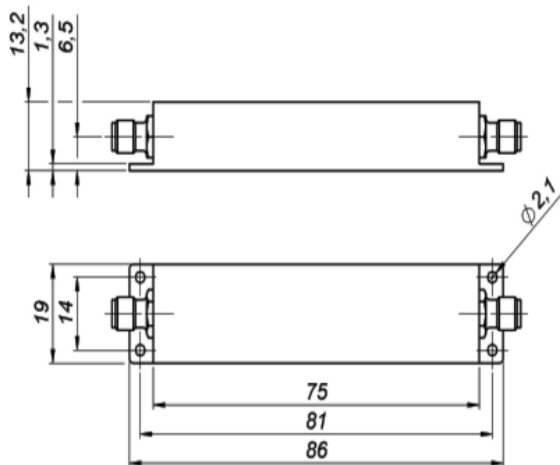
Specifications

Passband:	DC to __ MHz
Passband Insertion Loss:	1 dB max. (1.5 dB max. at Fco)
Passband Return Loss:	14 dB min. (VSWR 1.5:1 max.)
Stopband:	Stopband Limit 6000 MHz
Stopband Attenuation:	60 dB min.
Operating Temperature:	5 °C to 45 °C
Power Handling:	max. 20 W CW into a 2:1 VSWR (<i>Please see our warranty in this regard</i>)
Dimensions (L x W x H):	max. 75 x 19 x 13.2 mm (plus connectors and flanges)
Approx. Weight:	0.06 kg
Mounting Provision:	5.5 mm flanges on both ends with 2.1 mm holes
Connector 1:	SMA Female
Connector 2:	SMA Female

Typical Performance



7 Section Chebyshev Design



Connector Options

SMA Female

©2013 Wainwright Instruments. All rights reserved.

Euro Prices	1 - 4 pcs:	€ 273
(USD Prices will be quoted for US-based customers only)	5 - 9 pcs:	€ 246
	10 - 24 pcs:	€ 221

Delivery Terms

FCA Andechs (free carrier) according to **Incoterms 2010**
 In Deutschland liefern wir frachtfrei gemäß CPT **Incoterms 2010** (unversichert).
 Regarding payment terms and warranty see [Terms and Conditions](#).
Delivery time: normally 3 to 4 weeks - depending on quantity ordered and on our work load.

Customer is responsible for observing all applicable export laws in regard to filter application and location of end user



Wainwright Instruments GmbH
 www.wainwright-filters.com

Tel: +49 8152 918230
 Fax: +49 8152 918255
 info@wainwright-filters.com