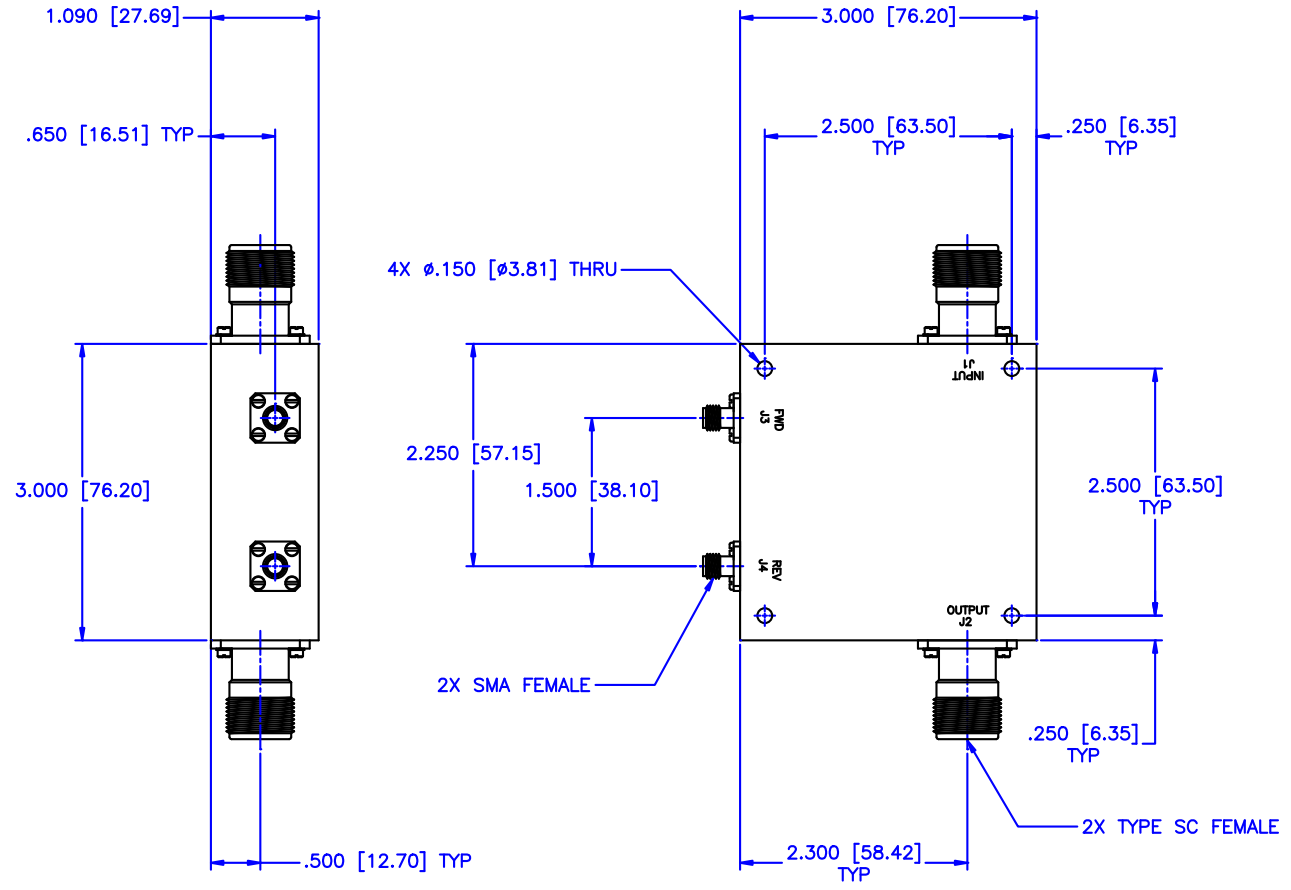


REVISIONS				
ZONE	REV	DESCRIPTION	DATE	APPROVED



SPECIFICATIONS

- FREQUENCY RANGE: 100–500 MHz
- FLATNESS: ± 0.3 dB
- INSERTION LOSS: 0.2dB Max.
- DIRECTIVITY: 20dB Min.
- VSWR: 1.15:1 Max.
- POWER: 1500 Watts CW

MATERIAL:		MCLI MICROWAVE COMMUNICATIONS LABORATORIES INC. 7255 30TH AVE. N. SAINT PETERSBURG, FL 33710 TEL: (727) 344-6254 FAX: (727) 381-6116 http://WWW.MCLI.COM	SCALE: N/A
			SHEET: N/A
DRAWN: Piaboon Luekhamhan		DATE: 12-10-2010	DRAWING TITLE: HIGH POWER DUAL DIRECTIONAL COUPLER PART NO.: HDL-15-50/SC
APPROVED: T. Nguyen		DATE: 12-10-2010	
UNLESS OTHERWISE SPECIFIED: TOLERANCES IN (INCHES) OR [mm] (MILLIMETERS) FRACTIONS: $\pm 1/64$ DECIMALS: $\pm 0.01 \pm 0.005$ ANGLE: $\pm 1/2^\circ$		PROPRIETARY NOTICE: THE INFORMATION IN THIS DRAWING IS PROPRIETARY AND SHALL NOT BE USED OR DISCLOSED WITHOUT WRITTEN PERMISSION FROM MICROWAVE COMMUNICATIONS LABORATORIES INC. (MCLI)	CAGE CODE: OD2L5 SIZE: C REV: N/A DWG NO.: 85127
THIRD ANGLE PROJECTION		DO NOT SCALE THE DRAWING	