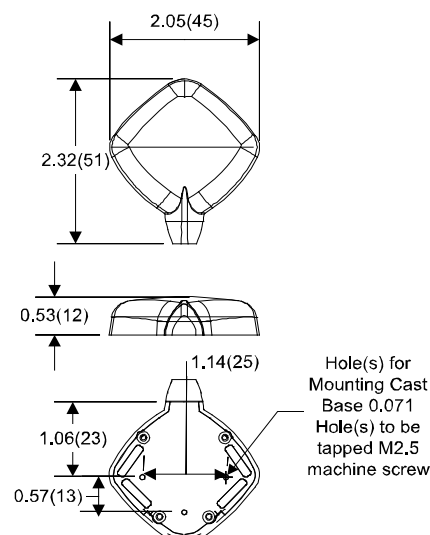


9211D Iridium® Magnet Mount Passive Antenna

The 9211D is a high performance passive 1616 to 1626.5 MHz, RHCP antenna, specifically designed to operate with the Iridium® Satellite communication system. It features a precisely tuned custom ceramic patch antenna element and a matching network. The 9211D antenna is enclosed in a rugged, fully weatherproof housing that allows the Iridium Satellite SBD modem to be mounted away from the elements, yet fully meeting Iridium's radiated power requirements. Its top cover (radome) is composed of high-grade GE plastic and the zinc base is equipped with both screw holes and magnets for ease of installation. The antenna comes standard with 6.6' (2 meters) of high quality Shikoku coaxial cable and an SMA male connector.

Features

- Ideal for Iridium® Satellite Short Data Service applications
- Weather proof housing
- Magnet or screw mount
- RoHS compliant



Antenna Response Specifications

Frequency Range	Gain	Polarization	Axial Ratio	VSWR
1616 MHz - 1626.5 MHz	4 dBic @ Zenith (max)	Right Hand Circular	3 dB @ Zenith (max)	< 2.0:1

Mechanical Specifications

Antenna Dimensions	Antenna Weight	Shock	Vibration
2.1 x 2.3 x .54 inches (52.1 x 58.9 x 13.6 mm)	.26 lbs (120 g)	Vertical axis 50G, other axes 30G	3 axis, sweep = 15 min 10-200 Hz log sweep: 3G
Cable	Cable Loss	Connector	Mounting Method
6.6 feet (2 meters) highly-flexible 174 sized cable	1.3 dB/m typical	SMA male	Magnetic (5 lb lift-off force) or permanent (pre-threaded for 3 x M2.5 screws)

Environmental Specifications

Temperature Range	Humidity	Weatherproof
-40° C to +85° C operating	95% max (non condensing)	IP67*

* When installed according to manufacturer's installation instructions.