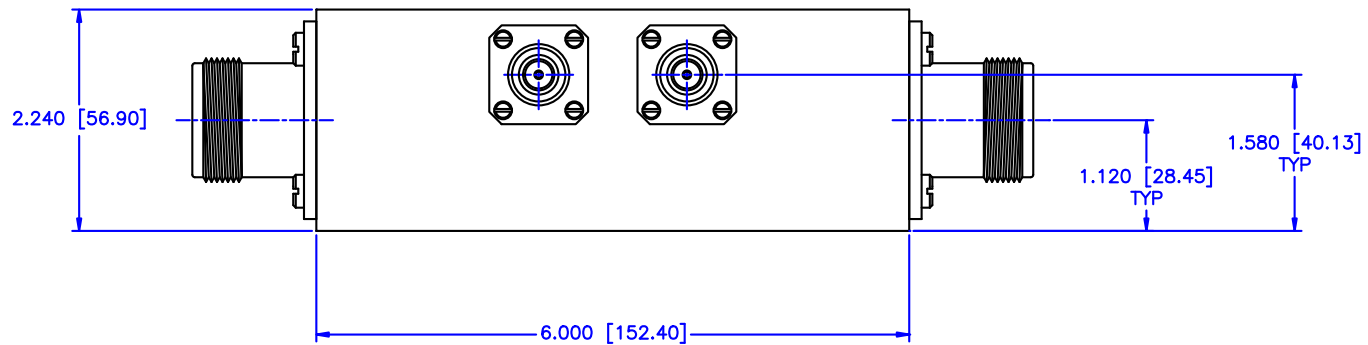
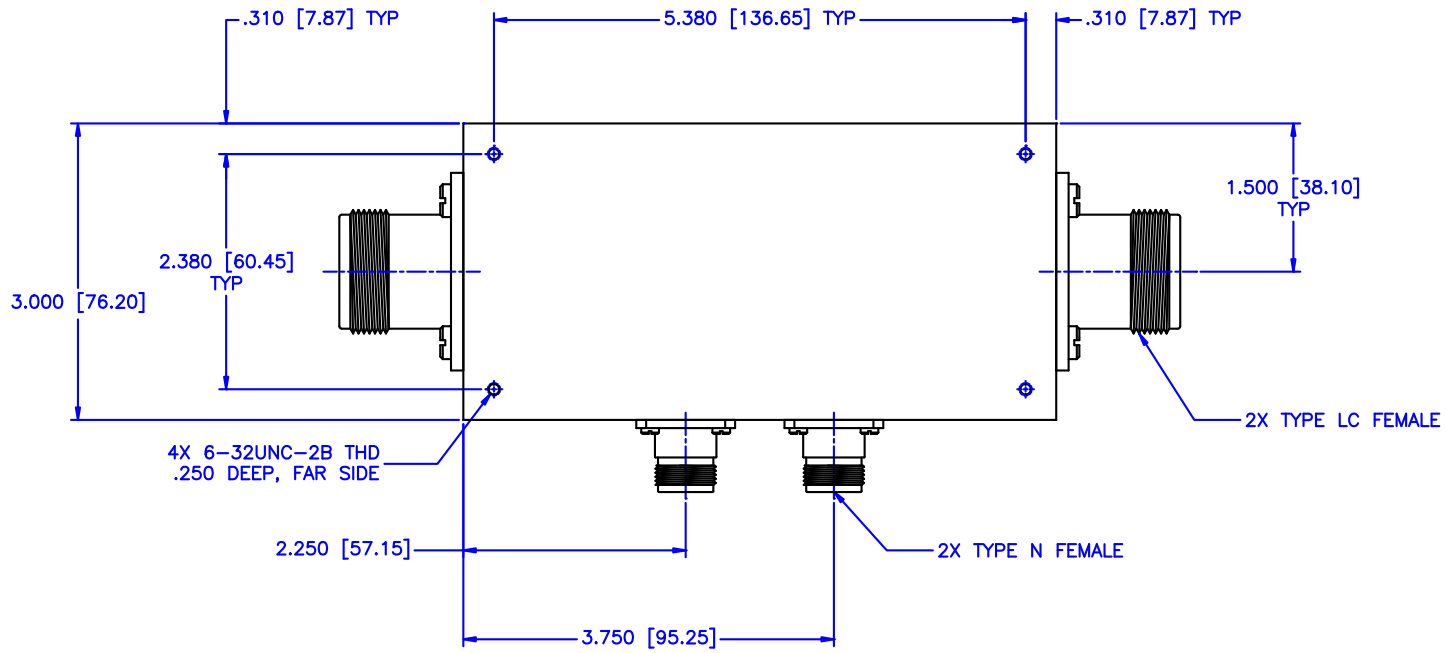


REVISIONS				
ZONE	REV	DESCRIPTION	DATE	APPROVED



**SPECIFICATIONS:**

FREQUENCY RANGE: 1.5-32 MHz  
 FLATNESS:  $\pm 0.5$ dB  
 INSERTION LOSS: 0.10dB Max.  
 DIRECTIVITY: 25dB Min.  
 VSWR: 1.10:1 Max.  
 POWER: 10kW CW

MATERIAL:	
DRAWN: Paiboon Luekhamhan	DATE: 01-06-2011
APPROVED: T. Nguyen	DATE: 01-06-2011

<b>MCLI</b> MICROWAVE COMMUNICATIONS LABORATORIES INC. 7255 30TH AVE. N. SAINT PETERSBURG, FL 33710 TEL: (727) 344-6254 FAX: (727) 381-6116 http://WWW.MCLI.COM	SCALE:	N/A
	SHEET:	N/A
UNLESS OTHERWISE SPECIFIED: TOLERANCES IN (INCHES) OR [mm] (MILLIMETERS) FRACTIONS: $\pm 1/64$ DECIMALS: $\pm .015$ ANGLE: $\pm 1/2^\circ$	DRAWING TITLE: HIGH POWER DUAL DIRECTIONAL COUPLER	
PROPRIETARY NOTICE: THE INFORMATION IN THIS DRAWING IS PROPRIETARY AND SHALL NOT BE USED OR DISCLOSED WITHOUT WRITTEN PERMISSION FROM MICROWAVE COMMUNICATIONS LABORATORIES INC. (MCLI)	PART NO.: HDL-10-60	
THIRD ANGLE PROJECTION	CAGE CODE: OD2L5	SIZE: C REV: N/A DWG NO.: 85204
DO NOT SCALE THE DRAWING		