

# KR Electronics 2530 Bandpass Filter

## General Description

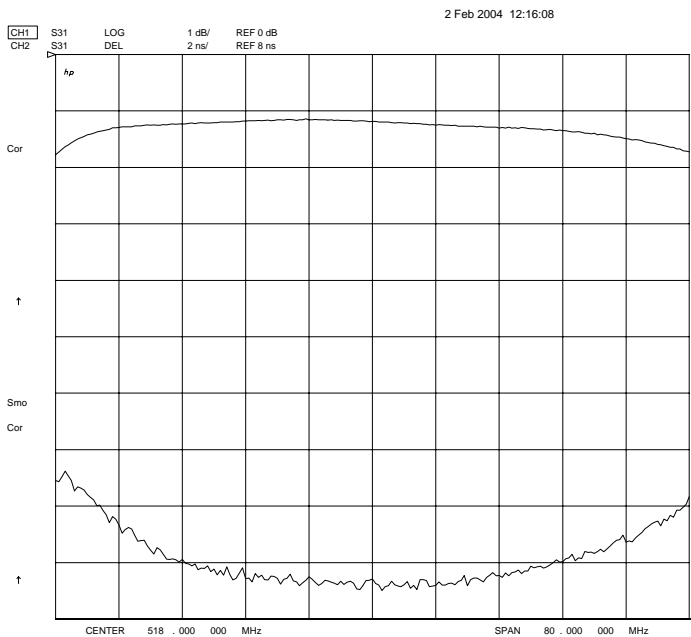
KR 2530 is a 518 MHz surface mount bandpass filter. Other center frequencies and bandwidths available. Please consult the factory.

### Features

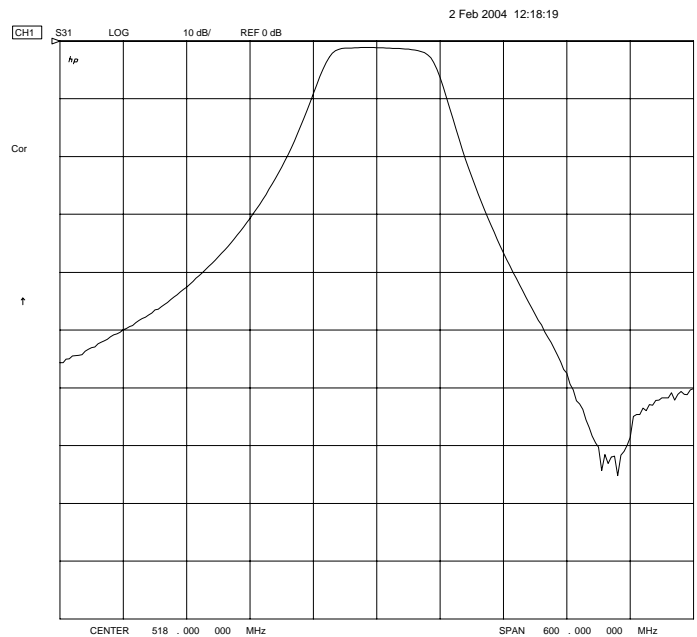
- Surface Mount Package
- 518 MHz Center Frequency
- $BW_{1dB}$  80 MHz min
- >40 dB Stopband
- 50  $\Omega$  Source and Load

## Typical Performance

**Passband Amplitude & Group Delay**  
(1 dB/div & 2 nsec/div)



**Overall Response**  
(10 dB/div)



KR Electronics, Inc.  
91 Avenel Street  
Avenel, NJ 07001

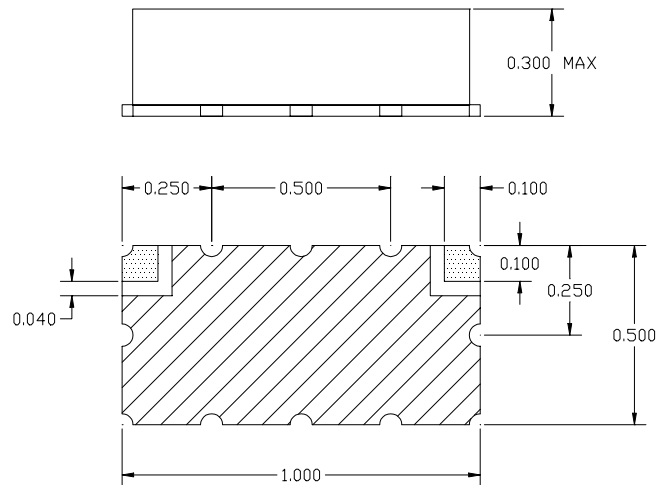
Web [www.krfilters.com](http://www.krfilters.com)  
Email [sales@krfilters.com](mailto:sales@krfilters.com)  
Phone (732) 636-1900  
Fax (732) 636-1982

# KR Electronics 2530 Bandpass

## Specifications

Parameter	Specification
Filter type	Bandpass
Center Frequency	518 MHz
Insertion Loss	< 3 dB ( 1.5 dB Typical)
Attenuation at 300 MHz	> 40 dB
Attenuation at 478 MHz	< 1 dB
Attenuation at 558 MHz	< 1 dB
Attenuation at 770 MHz	> 40 dB
Source and Load	50 Ω

## Physical Dimensions



### Notes:

1. Surface mount package — Metal cover, open frame
2. Dimensions in inches
3. Use SN60 or SN63 solder during installation
4. If boards are cleaned after installation, units must be completely dried to remove any entrapped moisture that will effect electrical performance