



50 Ohm N Female To 75 Ohm N Male Matching Pad
Operating From DC to 500 MHz RoHS Compliant

TECHNICAL DATA SHEET

PE7028

Configuration

Design	Fixed Matching Pad
Body Style	Straight
Connector 1	N Female
Impedance 1	50 Ohms
Connector 2	N Male
Impedance 2	75 Ohms

Electrical Specifications

Frequency Range, MHz	DC to 500
Maximum VSWR	1.35:1
Maximum Attenuation, dB	5.7
Attenuation Accuracy	± 0.5
Maximum Input Power, Watts	1
Directionality	Bidirectional

Mechanical Specifications

Temperature

Operating Range, deg C	-30 to +70
------------------------	------------

Size

Length, in [mm]	1.85 [46.99]
Width/Dia., in [mm]	0.8 [20.32]
Body Material and Plating	Brass, Nickel

Connector 1

Type	N Female
Dielectric Type	Teflon
Inner Conductor Material and Plating	Beryllium Copper, Gold
Body Material and Plating	Brass, Nickel

Connector 2

Type	N Male
Dielectric Type	Teflon
Inner Conductor Material and Plating	Brass, Gold
Coupling Nut Material and Plating	Brass, Nickel
Body Material and Plating	Brass, Nickel

Compliance Certifications (visit www.Pasternack.com for current document)

RoHS Compliant

Click the following link (or enter part number in "SEARCH" on website) to obtain additional part information including price, inventory and certifications: [50 Ohm N Female To 75 Ohm N Male Matching Pad Operating From DC to 500 MHz RoHS Compliant PE7028](#)



50 Ohm N Female To 75 Ohm N Male Matching Pad
Operating From DC to 500 MHz RoHS Compliant

TECHNICAL DATA SHEET

PE7028

Plotted and Other Data

Notes:

- Values at +25 °C, sea level

50 Ohm N Female To 75 Ohm N Male Matching Pad Operating From DC to 500 MHz RoHS Compliant from Pasternack Enterprises has same day shipment for domestic and International orders. Our RF, microwave and millimeter wave products maintain a 99% availability and are part of the broadest selection in the industry.

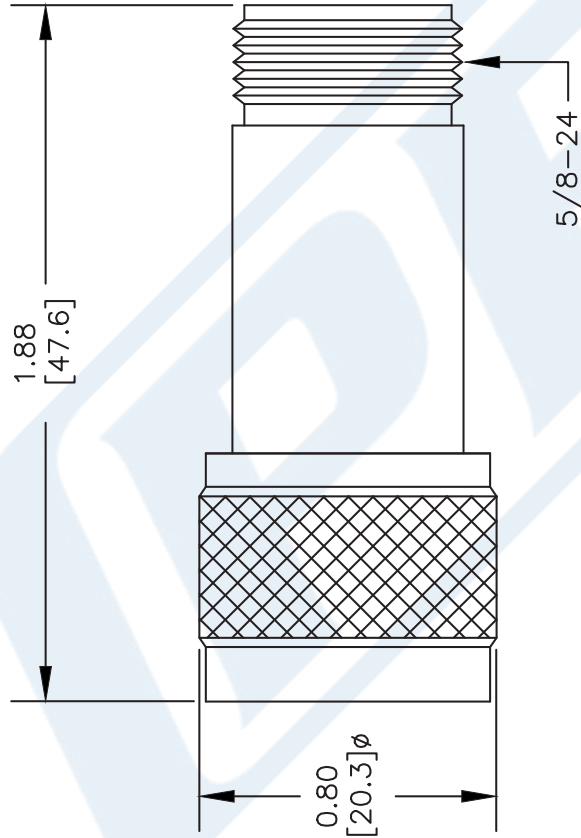
Click the following link (or enter part number in "SEARCH" on website) to obtain additional part information including price, inventory and certifications: [50 Ohm N Female To 75 Ohm N Male Matching Pad Operating From DC to 500 MHz RoHS Compliant PE7028](http://www.pasternack.com/50-ohm-n-female-75-ohm-n-male-matching-pad-pe7028-p.aspx)

URL: <http://www.pasternack.com/50-ohm-n-female-75-ohm-n-male-matching-pad-pe7028-p.aspx>

The information contained in this document is accurate to the best of our knowledge and representative of the part described herein. It may be necessary to make modifications to the part and/or the documentation of the part, in order to implement improvements. Pasternack reserves the right to make such changes as required. Unless otherwise stated, all specifications are nominal. Pasternack does not make any representation or warranty regarding the suitability of the part described herein for any particular purpose, and Pasternack does not assume any liability arising out of the use of any part or documentation.

PE7028 CAD Drawing

50 Ohm N Female To 75 Ohm N Male Matching Pad
Operating From DC to 500 MHz RoHS Compliant



DWG TITLE

PE7028

FSCM NO. 53919

NOTES:
1. UNLESS OTHERWISE SPECIFIED ALL DIMENSIONS ARE NOMINAL.
2. ALL SPECIFICATIONS ARE SUBJECT TO CHANGE WITHOUT NOTICE AT ANY TIME.
3. DIMENSIONS ARE IN INCHES [mm].

CAD FILE 011712

SCALE N/A

SIZE A

XXXX



Pasternack Enterprises, Inc.
P.O. Box 16759 | Irvine | CA | 92623
Phone: (949) 261-1920 | Fax: (949) 261-7451
Website: www.pasternack.com | E-Mail: sales@pasternack.com