



## SMB Plug to SMB Plug Adapter

### TECHNICAL DATA SHEET

PE9118

#### SMB Plug to SMB Plug Adapter

##### Configuration

Connector 1	SMB Plug
Impedance 1	50 Ohms
Connector 2	SMB Plug
Impedance 2	50 Ohms
Adapter Design	Standard
Body Style	Straight

##### Mechanical Specifications

###### Size

Length, in [mm]	0.622 [15.8]
Width/Dia., in [mm]	0.28 [7.11]

###### Connector 1

Type	SMB Plug
Inner Conductor Material and Plating	Gold
Body Material and Plating	Brass, Nickel
Dielectric Type	PTFE

###### Connector 2

Type	SMB Plug
Inner Conductor Material and Plating	Gold
Body Material and Plating	Brass, Nickel
Dielectric Type	PTFE

##### Compliance Certifications (visit [www.Pasternack.com](http://www.Pasternack.com) for current document)

RoHS Compliant	Yes
----------------	-----

##### Plotted and Other Data

Notes:	Values at 25 °C, sea level
--------	----------------------------

SMB Plug to SMB Plug Adapter from Pasternack Enterprises has same day shipment for domestic and International orders. Our RF, microwave and fiber optic products maintain a 99% availability and are part of the broadest selection in the industry.

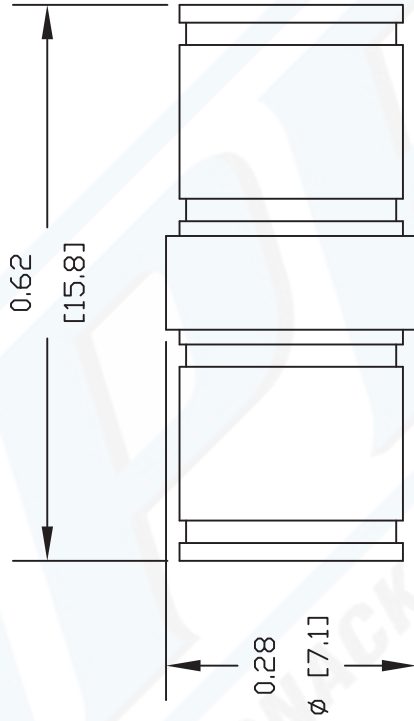
Click the following link (or enter part number in "SEARCH" on website) to obtain additional part information including price, inventory and certifications: [SMB Plug to SMB Plug Adapter PE9118](#)

URL: <http://www.pasternack.com/smb-plug-smb-plug-straight-adapter-pe9118-p.aspx>

The information contained in this document is accurate to the best of our knowledge and representative of the part described herein. It may be necessary to make modifications to the part and/or the documentation of the part, in order to implement improvements. Pasternack reserves the right to make such changes as required. Unless otherwise stated, all specifications are nominal.

# PE9118 CAD Drawing

## SMB Plug to SMB Plug Adapter



DWG TITLE

**PE9118**

NOTES:  
 1. UNLESS OTHERWISE SPECIFIED ALL DIMENSIONS ARE NOMINAL.  
 2. ALL SPECIFICATIONS ARE SUBJECT TO CHANGE WITHOUT NOTICE AT ANY TIME.  
 3. DIMENSIONS ARE IN INCHES [mm].

REV. -

FSCM NO. 53919

CAD FILE 082702

SCALE N/A

SIZE A

127



**PASTERNAK®**  
 Pasternack Enterprises, Inc.  
 P.O. Box 16759 | Irvine | CA | 92623  
**Phone:** (949) 261-1920 | **Fax:** (949) 261-7451  
**Website:** www.pasternack.com | **E-Mail:** sales@pasternack.com