

## Models 1580 & 1580-1 Broadband Resistive Power Dividers 3.5mm Connectors

dc to 26.5 GHz  
1 Watt

**RoHS**



### Features

- /// **Miniature Size & Lightweight** - High power capability and high ambient temperature operation.
- /// **Close Tracking & Low Frequency Sensitivity** - Output power symmetry is excellent across the frequency range. Division is 6 dB from matched ports.
- /// **Test Data** - Provided for 153 frequency points

### Specifications

**NOMINAL IMPEDANCE:** 50 Ω

**FREQUENCY RANGE:** dc to 26.5 GHz

**MAXIMUM INPUT POWER:** 1 watt CW, 500 watt pulse

**INSERTION LOSS (between input & one output arm):**  
6 dB nominal, 7.5 maximum to 18 GHz and 8.5 maximum to 26.5 GHz.

**NUMBER OF PORTS:** 3, interchangeable for input and output

#### TRACKING (Maximum)\*:

Frequency (GHz)	Amplitude	Phase
dc - 26.5	0.30 dB	4°

\* Ports 1 to 2 & 1 to 3

**POWER COEFFICIENT:** < 0.005 dB/dB/watt

**TEMPERATURE COEFFICIENT:** < 0.0004 dB/dB/°C

**TEMPERATURE RANGE:** -55°C to +125°C

#### MAXIMUM SWR:

Frequency (GHz)	SWR
dc - 18	1.20
18 - 26.5	1.40

**CONSTRUCTION:** Gold plated brass body; stainless steel connectors; gold plated beryllium copper contacts.

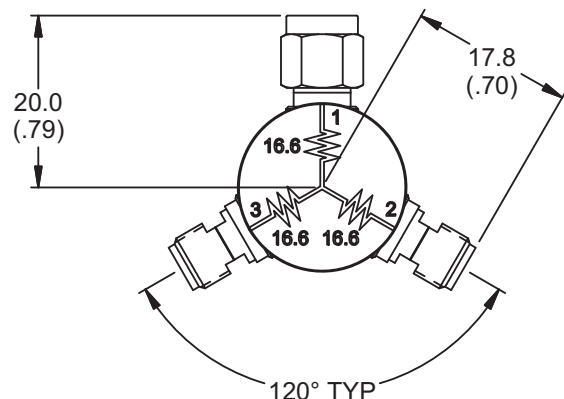
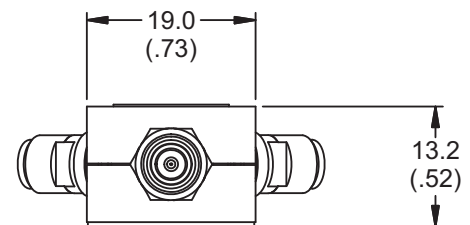
**TEST DATA:** Insertion loss, SWR and Tracking data covering 153 frequency points between 50 MHz and 26.5 GHz.

#### CONNECTORS:

**Model 1580:** Male 3.5mm connector port 1 and Female 3.5mm connectors ports 2 and 3--all mate nondestructively with SMA, 2.92mm and other 3.5mm connectors.

**Model 1580-1:** Female 3.5mm connectors all ports--mate nondestructively with SMA, 2.92mm and other 3.5mm connectors.

#### PHYSICAL DIMENSIONS:



NOTE: All dimensions are given in mm (inches) and are maximum, unless otherwise specified.