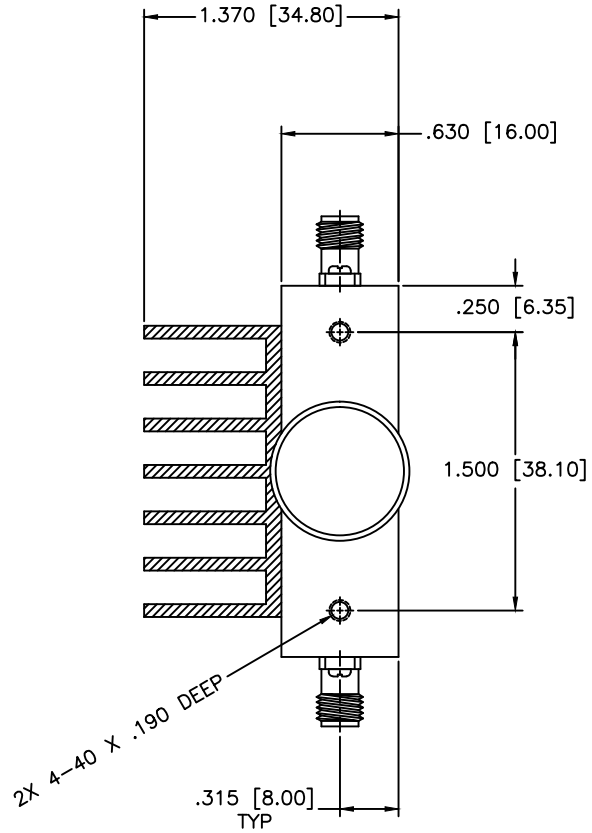
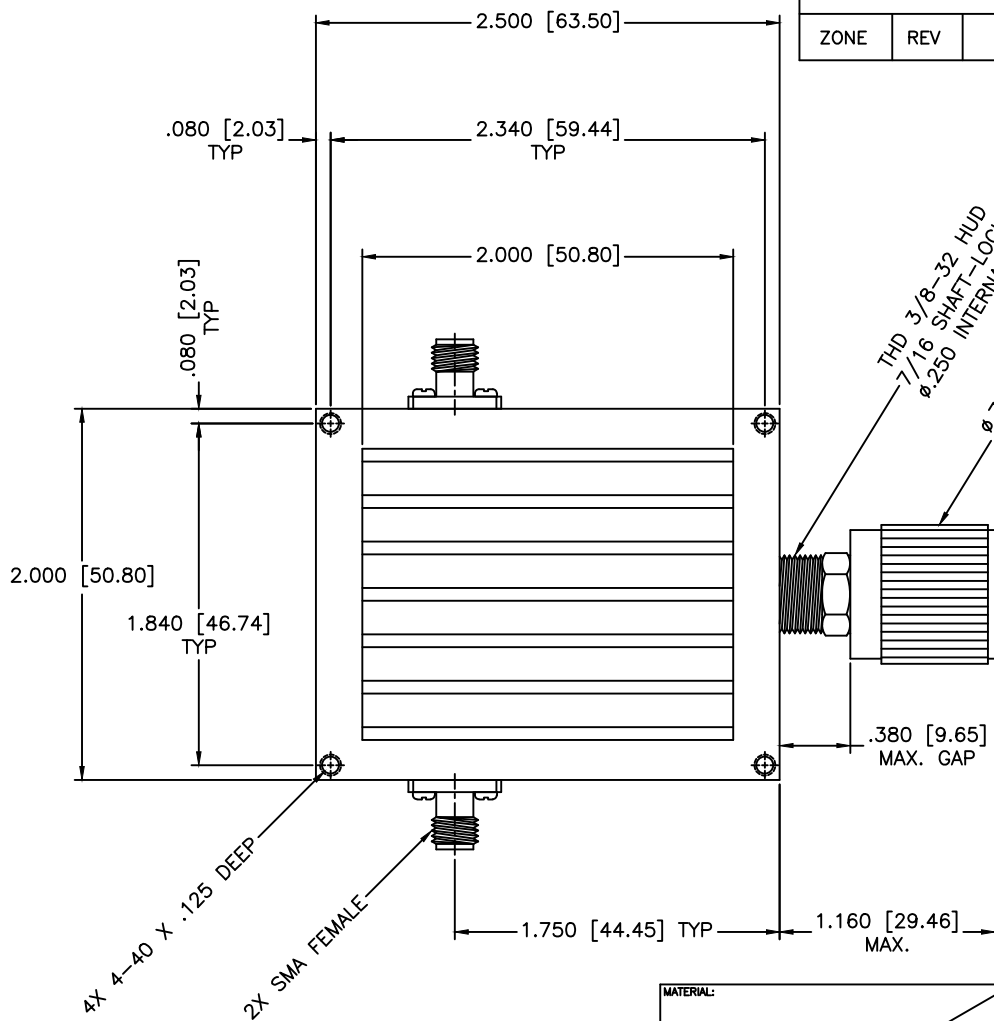


REVISIONS				
ZONE	REV	DESCRIPTION	DATE	APPROVED



**SPECIFICATION**

Frequency Range: 0.9–1.75 GHz  
 Attenuation: 10dB  
 Insertion Loss: 0.5 Max.  
 VSWR: 1.50:1 Max.  
 RF Power: 30W Average, 5kW Peak

MATERIAL:	
DRAWN: Paiboon Luekhamhan	DATE: 02-10-2011
APPROVED: T. Nguyen	DATE: 02-10-2011

<b>MCLI</b>	MICROWAVE COMMUNICATIONS LABORATORIES INC. 7255 30TH AVE. N. SAINT PETERSBURG, FL 33710 TEL: (727) 344-6254 FAX: (727) 381-6116 http://WWW.MCLI.COM	SCALE: N/A
	UNLESS OTHERWISE SPECIFIED: TOLERANCES IN (INCHES) OR [mm] (MILLIMETERS) FRACTIONS: ± 1/64 DECIMALS: ±.015 ANGLE: ±1/2°	DRAWING TITLE: <b>CONTINUOUSLY VARIABLE ATTENUATOR, HIGH POWER</b>
PART NO. <b>HA30-3-10</b>		DWG NO. <b>85483</b>
CAGE CODE: <b>0D2L5</b>	SIZE: <b>A</b> REV: <b>N/A</b>	
DO NOT SCALE THE DRAWING		

THIRD ANGLE PROJECTION