



WR-90 to 7mm Sexless Waveguide to Coax
Adapter 8.2 GHz to 12.4 GHz

TECHNICAL DATA SHEET

PE9815

WR-90 to 7mm Sexless Waveguide to Coax Adapter 8.2 GHz to 12.4 GHz

Configuration

Waveguide Interface	WR-90
RF Connector	7mm Sexless
RF Connector Impedance	50 Ohms

Electrical Specifications

Frequency Range, GHz	8.2 to 12.4
Maximum VSWR	1.2:1

Mechanical Specifications

Size

Length, in [mm]	1 [25.4]
Width/Dia., in [mm]	1.63 [41.4]
Height, in [mm]	2.2 [55.88]

Waveguide Interface

Type	WR-90
Body Material and Plating	Aluminum

RF Connector

Type	7mm Sexless
Body Material and Plating	Passivated Stainless Steel

Compliance Certifications (visit www.Pasternack.com for current document)

Plotted and Other Data

Notes: Values at 25 °C, sea level

WR-90 to 7mm Sexless Waveguide to Coax Adapter 8.2 GHz to 12.4 GHz from Pasternack Enterprises has same day shipment for domestic and International orders. Our RF, microwave and fiber optic products maintain a 99% availability and are part of the broadest selection in the industry.

Click the following link (or enter part number in "SEARCH" on website) to obtain additional part information including price, inventory and certifications: [WR-90 to 7mm Sexless Waveguide to Coax Adapter 8.2 GHz to 12.4 GHz PE9815](http://www.pasternack.com/waveguide-to-7mm-frequency-range-820-1240-ghz-pe9815-p.aspx)

URL: <http://www.pasternack.com/waveguide-to-7mm-frequency-range-820-1240-ghz-pe9815-p.aspx>

The information contained in this document is accurate to the best of our knowledge and representative of the part described herein. It may be necessary to make modifications to the part and/or the documentation of the part, in order to implement improvements. Pasternack reserves the right to make such changes as required. Unless otherwise stated, all specifications are nominal.

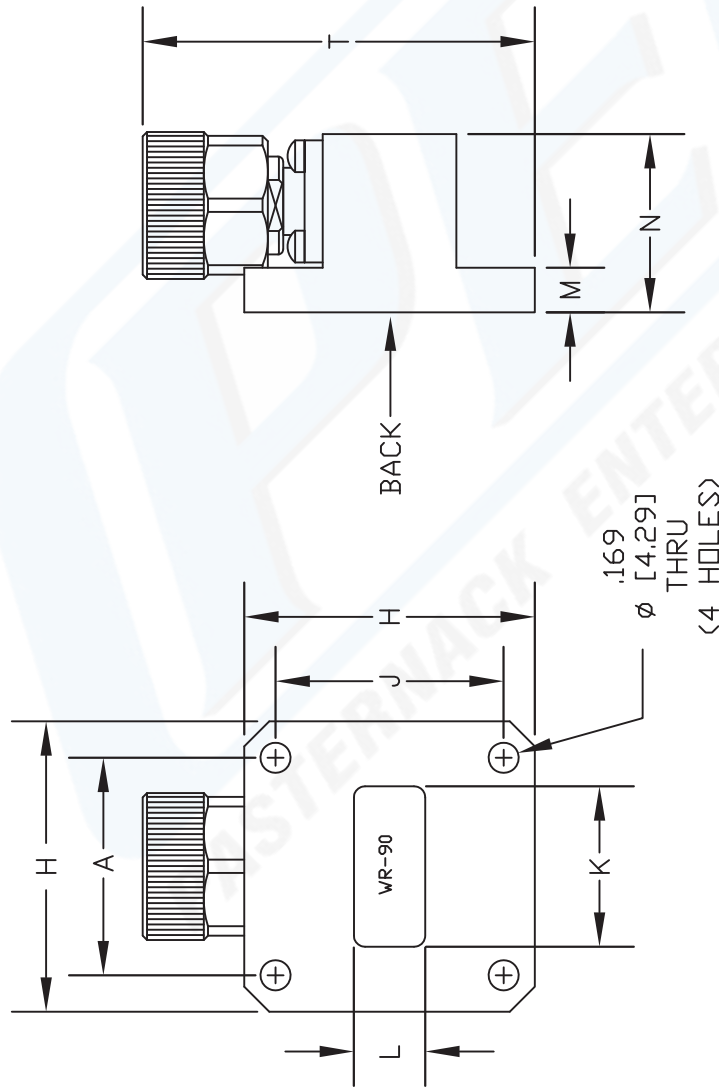


PE9815 CAD Drawing

WR-90 to 7mm Sexless Waveguide to Coax Adapter 8.2 GHz to 12.4 GHz

WR90	Dimension	Inches	mm
A		1.220	30.99
H		1.630	41.40
J		1.280	32.51
K (± 0.003)		0.900	22.86
L (± 0.003)		0.400	10.16

M	0.250	6.35
N	1.000	25.40
T	2.200	55.88



BACK VIEW

NOTES:
 1. UNLESS OTHERWISE SPECIFIED ALL DIMENSIONS ARE NOMINAL.
 2. ALL SPECIFICATIONS ARE SUBJECT TO CHANGE WITHOUT NOTICE AT ANY TIME.
 3. DIMENSIONS ARE IN INCHES [mm].

DWG TITLE
PE9815

PASTERNAK ENTERPRISES, INC.
 P.O. BOX 16759, IRVINE, CA 92623
 PHONE (949) 261-1920 FAX (949) 261-7451
 WEB ADDRESS: www.pasternack.com
 E-MAIL ADDRESS: sales@pasternack.com
COAXIAL & FIBER OPTICS



REV. A	FSCM NO. 53919	CAD FILE 050809	SCALE N/A	SIZE A	127
--------	----------------	-----------------	-----------	--------	-----