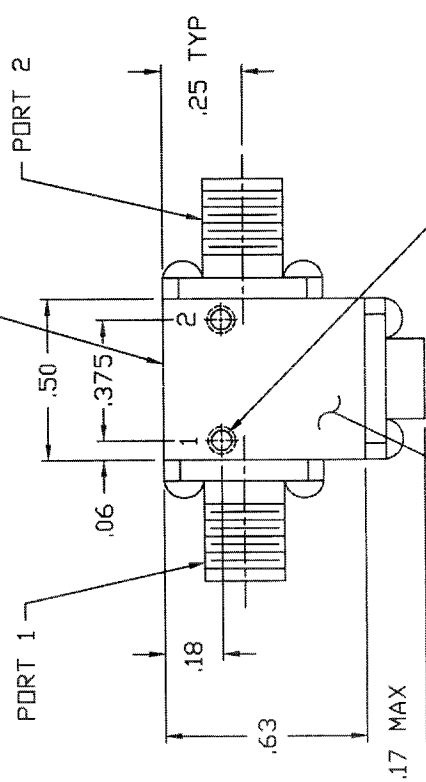
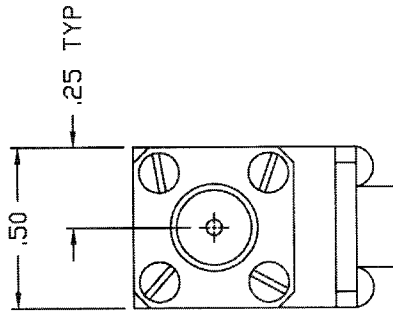


REVISIONS		
REV.	DESCRIPTION	DATE
NC	INITIAL RELEASE	
		APPROVED

LABEL WITH MODEL NO, AND SERIAL NO THIS SURFACE



SMT LOGO LABEL THIS SURFACE



SPECIFICATIONS:

1. FREQUENCY _____ 26.0 TO 30.0 GHZ
2. VSWR _____ 1.40:1 MAX
3. ISOLATION _____ 16 dB MIN
4. INSERTION LOSS _____ 0.6 dB MAX
5. TEMPERATURE:
 - OPERATING _____ -54° TO +85°C
 - STORAGE _____ -55° TO +100°C

CONNECTOR ORIENTATION			
DASH NO.	PORT 1	PORT 2	PORT 3
NONE	2.9mm FEMALE	2.9mm FEMALE	TERMINATED
-1	2.9mm MALE	2.9mm FEMALE	TERMINATED
-2	2.9mm FEMALE	2.9mm MALE	TERMINATED
-3	2.9mm MALE	2.9mm MALE	TERMINATED

*** NOTE: PART DRAWN IS SMI2630, NO DASH NO. ***

QTY	FSCM RECD NO.	PART OR IDENTIFYING NO.	NOMENCLATURE OR DESCRIPTION	MATERIAL SPECIFICATION
PARTS LIST				
FRACTIONS DECIMALS ANGLES # .XXX .02 # .XXXX .010		APPROVALS	DATE	
MATERIAL		DRAWN S. REED		
FINISH		CHECKED		
NEXT ASSY		ISSUED		
SMI2630-X				
USED ON				
APPLICATION				
		SIZE	FSCM NO.	DWG. NO.
		B	1CY63	205-2923-001
		SCALE		SHEET
				REV.



SIERRA MICROWAVE TECHNOLOGY

OUTLINE FOR SMI2630-X