



N Female to Reverse Polarity N Male Adapter

TECHNICAL DATA SHEET

PE9770

Configuration

Connector 1	N Female
Impedance 1	50 Ohms
Connector 2	N Male Reverse Polarity
Impedance 2	50 Ohms
Adapter Design	Standard
Body Style	Straight

Mechanical Specifications

Size

Length, in [mm]	1.5 [38.1]
Width/Dia., in [mm]	0.8 [20.32]

Connector 1

Type	N Female
Inner Conductor Material and Plating	Phosphor Bronze, Gold
Body Material and Plating	Brass, Nickel
Dielectric Type	Teflon

Connector 2

Type	N Male Reverse Polarity
Inner Conductor Material and Plating	Phosphor Bronze, Gold
Coupling Nut Material and Plating	Brass, Nickel
Body Material and Plating	Brass, Nickel
Dielectric Type	Teflon

Environmental Specifications

Compliance Certifications (visit www.Pasternack.com for current document)

RoHS Compliant	
REACH Compliant	12/19/2011

Click the following link (or enter part number in "SEARCH" on website) to obtain additional part information including price, inventory and certifications: [N Female to Reverse Polarity N Male Adapter PE9770](#)



N Female to Reverse Polarity N Male Adapter

TECHNICAL DATA SHEET

PE9770

Plotted and Other Data

Notes:

- Values at +25 °C, sea level

N Female to Reverse Polarity N Male Adapter from Pasternack Enterprises has same day shipment for domestic and International orders. Our RF, microwave and millimeter wave products maintain a 99% availability and are part of the broadest selection in the industry.

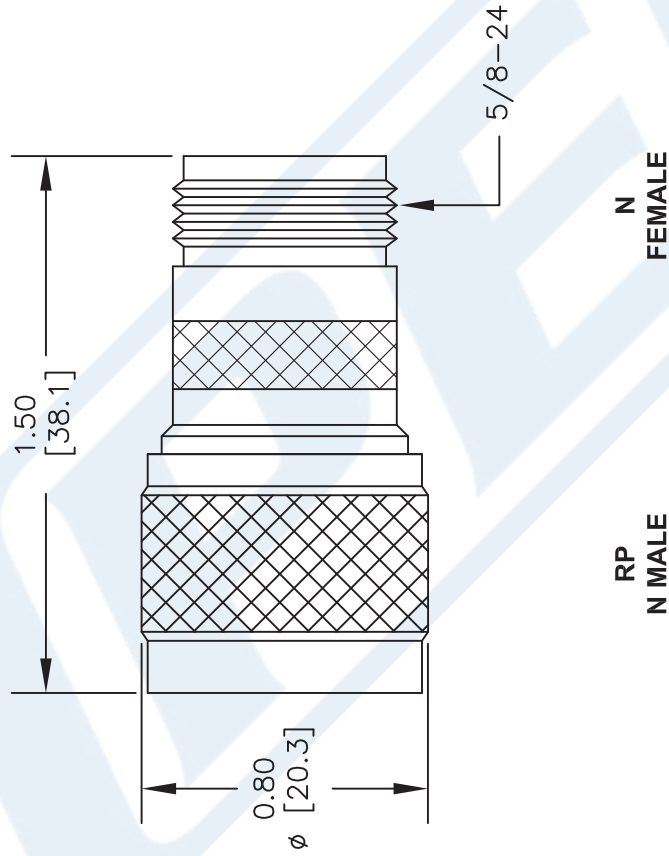
Click the following link (or enter part number in "SEARCH" on website) to obtain additional part information including price, inventory and certifications: [N Female to Reverse Polarity N Male Adapter PE9770](#)

URL: <http://www.pasternack.com/n-female-n-male-straight-adapter-pe9770-p.aspx>

The information contained in this document is accurate to the best of our knowledge and representative of the part described herein. It may be necessary to make modifications to the part and/or the documentation of the part, in order to implement improvements. Pasternack reserves the right to make such changes as required. Unless otherwise stated, all specifications are nominal. Pasternack does not make any representation or warranty regarding the suitability of the part described herein for any particular purpose, and Pasternack does not assume any liability arising out of the use of any part or documentation.

PE9770 CAD Drawing

N Female to Reverse Polarity N Male Adapter



DWG TITLE

PE9770

NOTES:
 1. UNLESS OTHERWISE SPECIFIED ALL DIMENSIONS ARE NOMINAL.
 2. ALL SPECIFICATIONS ARE SUBJECT TO CHANGE WITHOUT NOTICE AT ANY TIME.
 3. DIMENSIONS ARE IN INCHES [mm].

FSCM NO. 53919

CAD FILE 110614

SCALE N/A

SIZE A

2233



Pasternack Enterprises, Inc.
 P.O. Box 16759 | Irvine | CA | 92623
Phone: (949) 261-1920 | **Fax:** (949) 261-7451
Website: www.pasternack.com | **E-Mail:** sales@pasternack.com