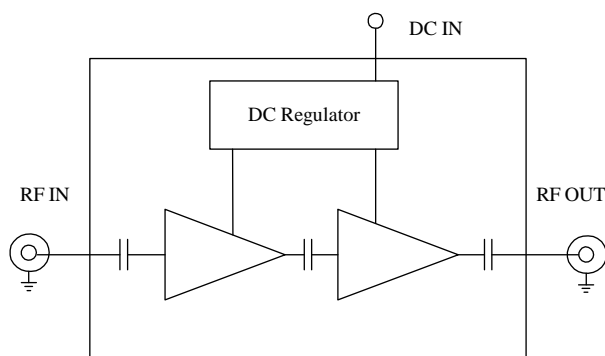


Features:

- Octave bandwidth, specification from 1.0~4.0GHz,
- Low noise figure, and high gain, low VSWR, unconditional stable
- Small size, low cost
- SMA female connector I/O
- Single DC power supply, internal voltage regulator, operating voltage from +8~+12V
- Operating temperature -40~+85°C, storage temperature -55~+125°C

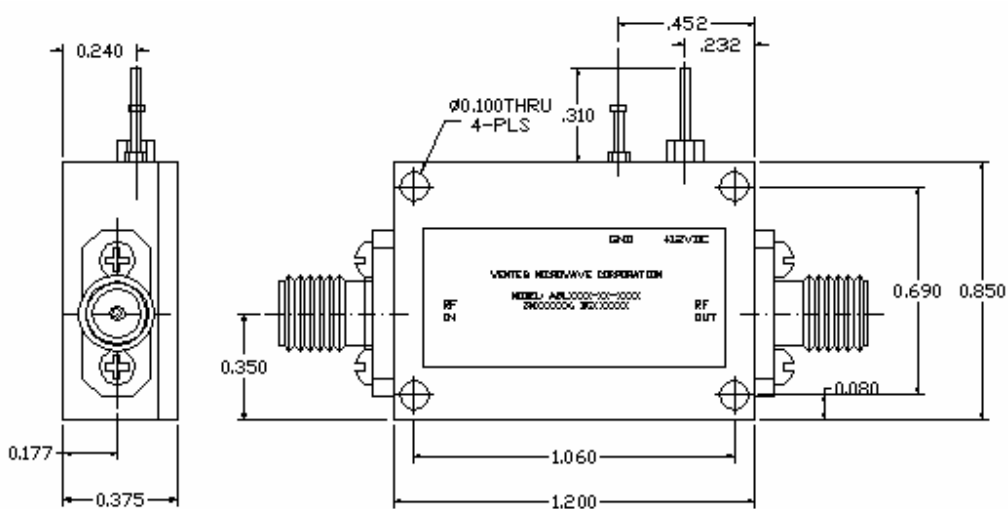
Functional Diagram



Electrical Specifications

| PARAMETERS | MINIMUM | TYPICAL | MAXIMUM |
|--------------------------|-----------|------------------|------------|
| Frequency Range, MHz | 1000 MHz | | 4000 MHz |
| Noise Figure | | 1.5 dB | 1.8 dB |
| P-1dB Compression Point | +10.0 dBm | +12.0 dBm | |
| Output IP3 | +20.0 dBm | +22.0 dBm | |
| Nominal Gain@Room Temp | 22.0 dB | 24.0 dB | 27.0 dB |
| Gain flatness | | +/-1.0 dB | +/-1.25 dB |
| Gain Variation over Temp | | +/-1.0dB | |
| Input VSWR | | 1.5:1 | 2.0:1 |
| Output VSWR | | 1.5:1 | 2.0:1 |
| Reverse Isolation | | 45 dB | |
| Spurious | | | -60 dBc |
| Operating Temperature | -40°C | | +85°C |
| Survival Temperature | -55°C | | +125°C |
| DC Power Supply Voltage | +8 V | | +12 V |
| DC Power Supply Current | | 50 mA | |
| In/Out connectors | | SMA female | |
| Size | | 1.2"x0.85"x0.375 | |

Mechanical Structure:



Note: All units in inches.

Absolute Maximum Ratings

| | |
|-----------------------|------------|
| DC Voltage | +15V |
| RF Input Power | +10dBm |
| Storage Temperature | -55~+125°C |
| Operating Temperature | -40~+85°C |