



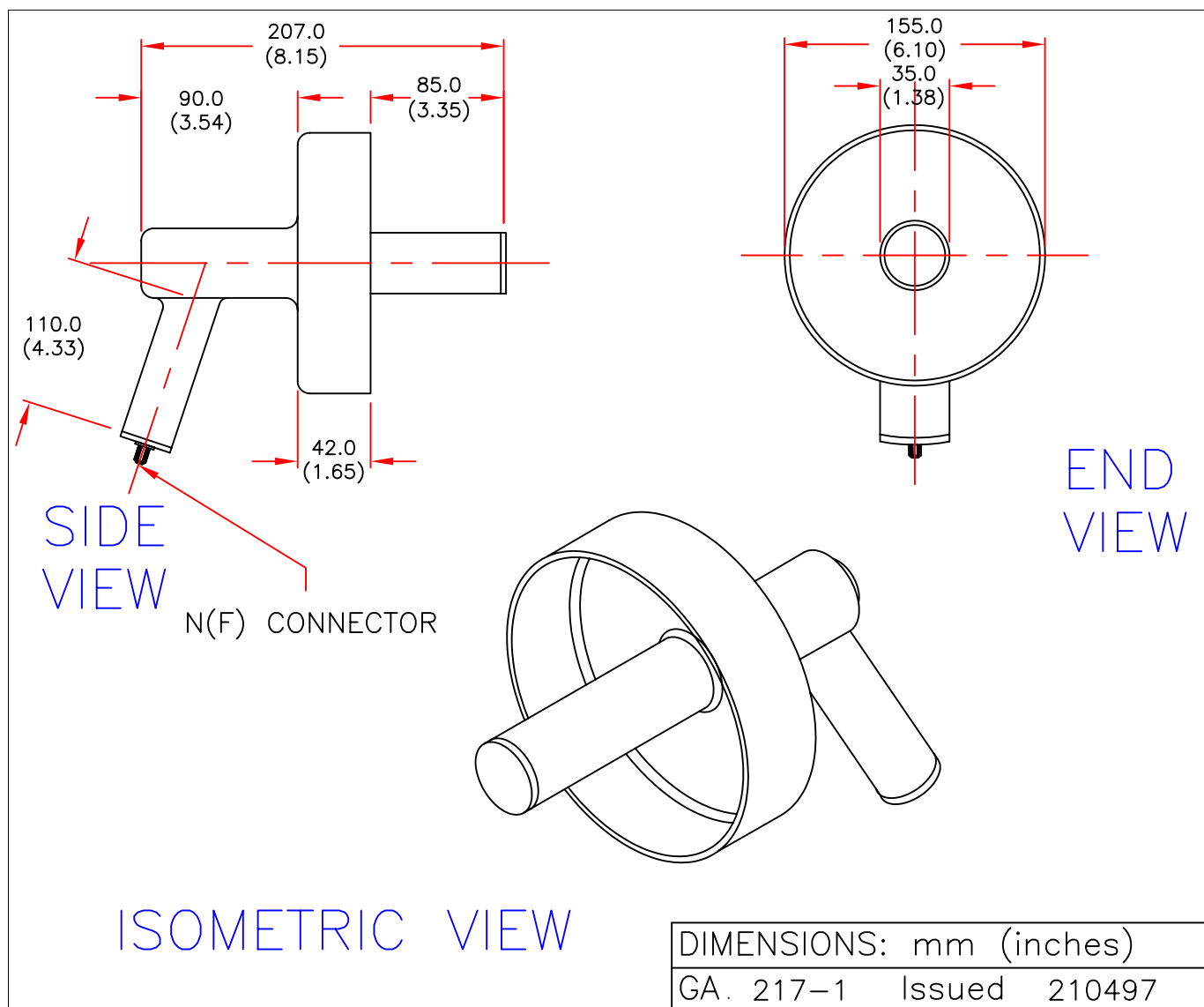
EUROPEAN ANTENNAS



HAND HELD HELIX ANTENNA

MODEL: AMHH12-58R/217

FREQUENCY: 5.50 – 6.20 GHz	GAIN: 12 dBiC
POLARISATION: RH Circular	BEAMWIDTH: 45° x 45°
AXIAL RATIO: 3 dB	VSWR: 1.5:1 into 50 Ohms
POWER RATING: 5 W	FRONT TO BACK: 20 dB
TEMPERATURE: -20°C to +50°C	MASS: 0.7 Kg/1.54lbs
FINISH: Matt Black	WIND LOADING: N/A



EUROPEAN ANTENNAS LTD.
LAMBDA HOUSE, CHEVELEY,
NEWMARKET, SUFFOLK, CB8 9RG,
UNITED KINGDOM

TEL: +44 (0)1638 731888

FAX: +44 (0)1638 731999

European Antennas Ltd has a policy of continuous development and therefore stress that the data contained on this sheet should be used for guidance only.