



## 50 Ohm N Female to 75 Ohm N Male Adapter

### RF Adapters Technical Data Sheet

**PE9350**

#### Configuration

Connector 1	N Female
Connector 2	N Male
Impedance	50 Ohms, 75 Ohms
Body Style	Straight

#### Electrical Specifications

Description	Minimum	Typical	Maximum	Units
Frequency Range	DC		500	MHz
VSWR			1.4:1	

#### Mechanical Specifications

<b>Size</b>	
Length	1.381 in [35.08 mm]
Width	0.827 in [21.01 mm]

Description	Connector 1	Connector 2
Type	N Female	N Male
Polarity	Standard	Standard
Interface Specification	MIL-C-39012	MIL-C-39012

#### Material Specifications

Description	Connector 1		Connector 2	
	Material	Plating	Material	Plating
Type	N Female		N Male	
Contact	Brass	Gold 3μ-5μ in. minimum	Brass	Gold
Insulation	Teflon		Teflon	
Body	Brass	Nickel 70μ in. minimum	Brass	Nickel 70μ in. minimum
Coupling Nut			Brass	Nickel 70μ in. minimum

Click the following link (or enter part number in "SEARCH" on website) to obtain additional part information including price, inventory and certifications: [50 Ohm N Female to 75 Ohm N Male Adapter PE9350](#)



## 50 Ohm N Female to 75 Ohm N Male Adapter

### RF Adapters Technical Data Sheet

**PE9350**

**Compliance Certifications** (visit [www.Pasternack.com](http://www.Pasternack.com) for current document)

RoHS Compliant

REACH Compliant

06/18/2012

50 Ohm N Female to 75 Ohm N Male Adapter from Pasternack Enterprises has same day shipment for domestic and International orders. Our RF, microwave and millimeter wave products maintain a 99% availability and are part of the broadest selection in the industry.

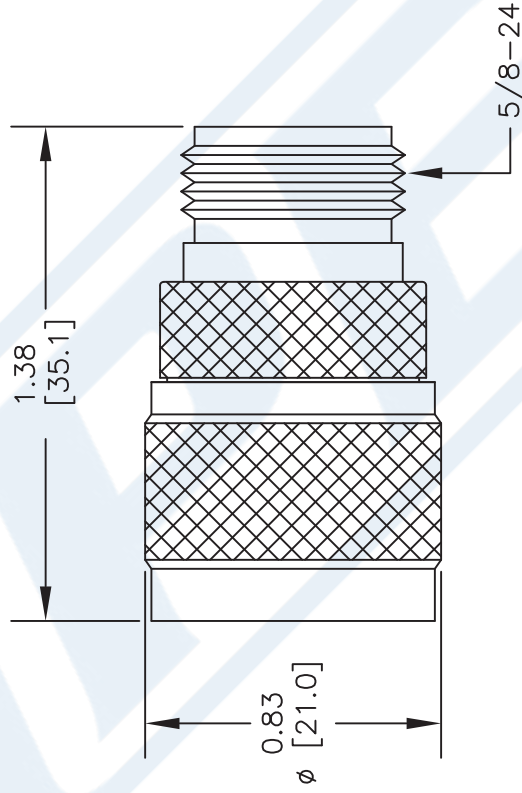
Click the following link (or enter part number in "SEARCH" on website) to obtain additional part information including price, inventory and certifications: [50 Ohm N Female to 75 Ohm N Male Adapter PE9350](#)

URL: <http://www.pasternack.com/n-female-n-male-straight-adapter-pe9350-p.aspx>

The information contained in this document is accurate to the best of our knowledge and representative of the part described herein. It may be necessary to make modifications to the part and/or the documentation of the part, in order to implement improvements. Pasternack reserves the right to make such changes as required. Unless otherwise stated, all specifications are nominal. Pasternack does not make any representation or warranty regarding the suitability of the part described herein for any particular purpose, and Pasternack does not assume any liability arising out of the use of any part or documentation.

# PE9350 CAD Drawing

50 Ohm N Female to 75 Ohm N Male Adapter



NOTES:  
 1. UNLESS OTHERWISE SPECIFIED ALL DIMENSIONS ARE NOMINAL.  
 2. ALL SPECIFICATIONS ARE SUBJECT TO CHANGE WITHOUT NOTICE AT ANY TIME.  
 3. DIMENSIONS ARE IN INCHES [mm].

DWG TITLE  
**PE9350**

**PE PASTERNAK®**  
 Pasternack Enterprises, Inc.  
 P.O. Box 16759 | Irvine | CA | 92623  
 Phone: (949) 261-1920 | Fax: (949) 261-7451  
 Website: www.pasternack.com | E-Mail: sales@pasternack.com

REV. -	FSCM NO. 53919	CAD FILE 091702	SCALE N/A	SIZE A	127
--------	----------------	-----------------	-----------	--------	-----