

STANDARD GAIN HORN 20 DB GAIN WR34

SH134-20

SPECIFICATIONS

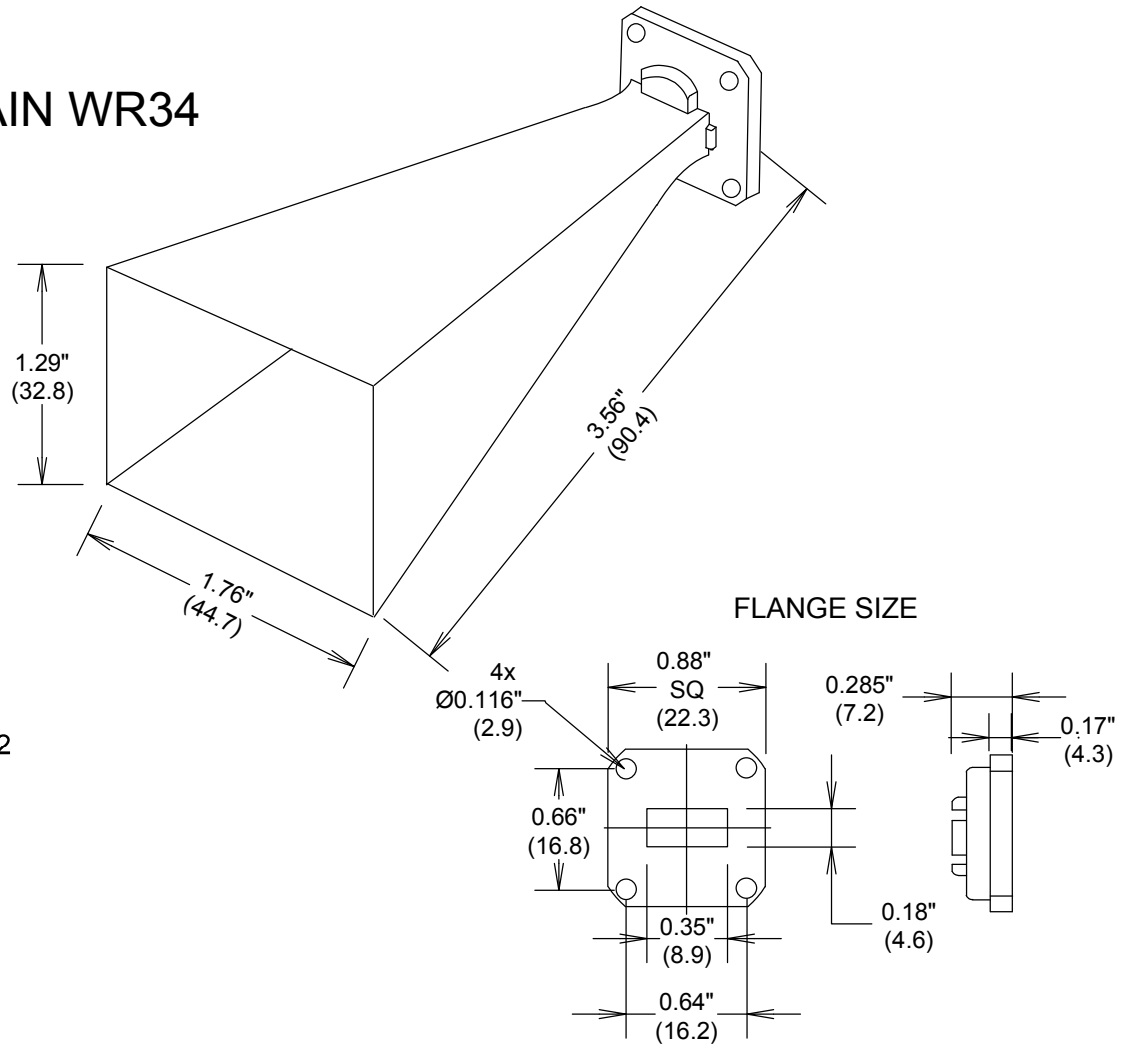
ELECTRICAL:

FREQUENCY: 22.0 - 33.0 GHZ
 TYPICAL GAIN VARIATION: ± 1.5 TO ± 2.0 DB
 GAIN*: 20 DB
 3 DB BEAM WIDTH*:
 E PLANE: 17.0°
 H PLANE: 17.4°

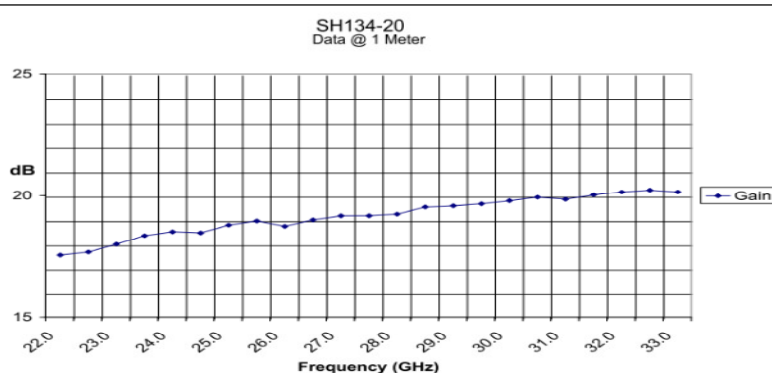
MATERIALS:

BODY/FLANGE: ALUMINIUM
 FINISH: UNIQUE CORROSION RESISTANT
 316 STAINLESS STEEL EPOXY COATING IAW MIL-F-14072

*GAIN & 3 DB BEAM WIDTH VALUES ARE
 CALCULATED BY COMPUTER SIMULATION



MEASUREMENTS BELOW ARE TYPICAL



ALL DIMENSIONS IN inches(mm) Typical

FAIRVIEW MICROWAVE INC.			
ALLEN, TX 75013 WWW.FAIRVIEWMICROWAVE.COM			
TITLE STANDARD GAIN HORN 20 DB GAIN WR34			
SIZE A	CAGE CODE 3FKR5	DWG NO SH134-20	REV A
SCALE		SHEET	