



100 Watts WR-42 RF Load Up To 26.5 GHz

TECHNICAL DATA SHEET

PE6829

100 Watts WR-42 RF Load Up To 26.5 GHz

Configuration

| | |
|-----------|----------|
| Connector | WR-42 |
| Heat Sink | Aluminum |

Electrical Specifications

| | |
|----------------------------|------------|
| Frequency Range, GHz | 18 to 26.5 |
| Impedance, Ohms | 50 |
| Maximum VSWR | 1.1:1 |
| Maximum Input Power, Watts | 100 |

Mechanical Specifications

Size

| | |
|---------------------|-------------|
| Length, in [mm] | 4 [101.6] |
| Width/Dia., in [mm] | 2.3 [58.42] |
| Height, in [mm] | 2.3 [58.42] |
| Color | Black |

Connector

| | |
|------|-------|
| Type | WR-42 |
|------|-------|

Compliance Certifications (visit www.Pasternack.com for current document)

Plotted and Other Data

Notes: Values at 25 °C, sea level

100 Watts WR-42 RF Load Up To 26.5 GHz from Pasternack Enterprises has same day shipment for domestic and International orders. Our RF, microwave and fiber optic products maintain a 99% availability and are part of the broadest selection in the industry.

Click the following link (or enter part number in "SEARCH" on website) to obtain additional part information including price, inventory and certifications: [100 Watts WR-42 RF Load Up To 26.5 GHz PE6829](http://www.pasternack.com/high-power-waveguide-termination-frequency-range-1800-2650-ghz-pe6829-p.aspx)

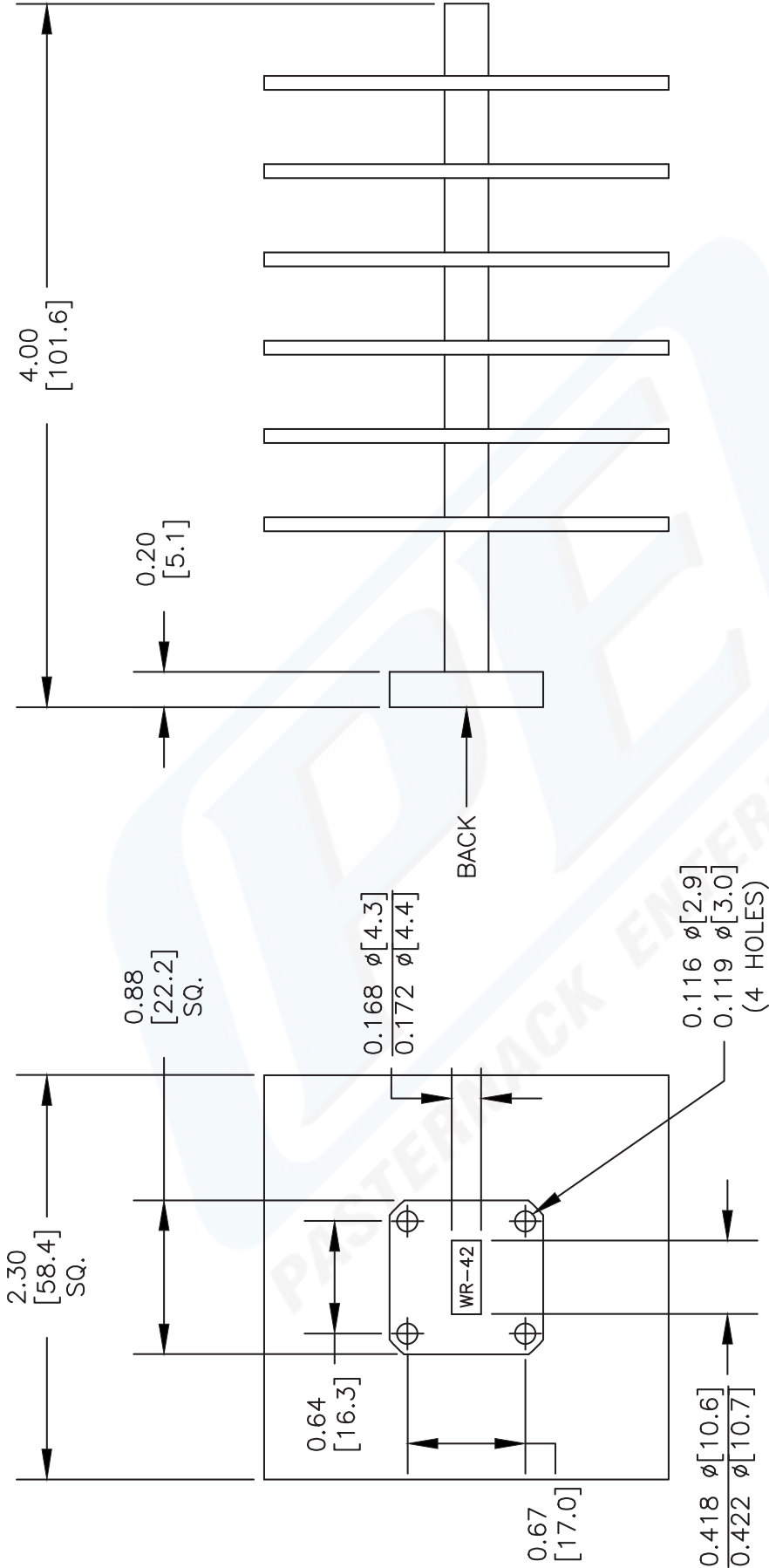
URL: <http://www.pasternack.com/high-power-waveguide-termination-frequency-range-1800-2650-ghz-pe6829-p.aspx>

The information contained in this document is accurate to the best of our knowledge and representative of the part described herein. It may be necessary to make modifications to the part and/or the documentation of the part, in order to implement improvements. Pasternack reserves the right to make such changes as required. Unless otherwise stated, all specifications are nominal.



PE6829 CAD Drawing

100 Watts WR-42 RF Load Up To 26.5 GHz



BACK VIEW

NOTES:
 1. UNLESS OTHERWISE SPECIFIED ALL DIMENSIONS ARE NOMINAL.
 2. ALL SPECIFICATIONS ARE SUBJECT TO CHANGE WITHOUT NOTICE AT ANY TIME.
 3. DIMENSIONS ARE IN INCHES [mm].

DWG TITLE
PE6829

FSCM NO. 53919

127

SIZE A

SCALE N/A

CAD FILE 010804

PE PASTERNAK®
 Pasternack Enterprises, Inc.
 P.O. Box 16759 | Irvine | CA | 92623
Phone: (949) 261-1920 | **Fax:** (949) 261-7451
Website: www.pasternack.com | **E-Mail:** sales@pasternack.com