

SPECIFICATIONS

ELECTRICAL

FREQUENCY RANGE _____ DC - 50 GHz
 STANDARD dB VALUES _____ 3 THRU 10, 20 & 30 dB
 ATTENUATION ACCURACY _____ DC - 26.5 GHz 26.5 - 40 GHz 40 - 50 GHz
 3 THRU 10 dB ±0.5 dB ±1.0 dB ±1.5 dB
 20 & 30 dB ±0.75 dB ±1.25 dB ±2.0 dB
 VSWR (MAX) _____ DC-26.5 GHz 26.5 - 40 GHz 40 - 50 GHz
 <1.35 <1.60 <1.75
 POWER (AVG. MAX.) _____ 1 WATT @ 25°C
 DERATES LINEARLY TO 10% AT +100°C
 IMPEDANCE _____ 50 OHMS
 OPERATING/STORAGE TEMPERATURE RANGE -55 TO +100°C

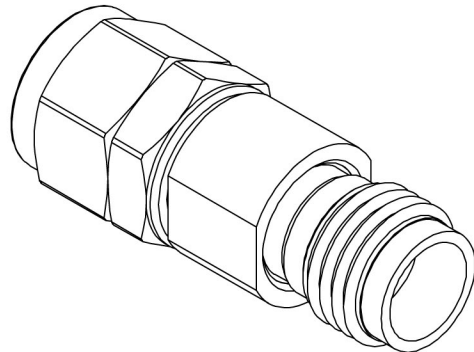
MATERIAL
 HOUSING: STAINLESS STEEL IAW ASTM-A484 & ASTM-A582, ALLOY 303, COND A
 CONTACT: BERYLLIUM COPPER
 DIELECTRIC - HIGH TEMPERATURE PLASTIC BEAD

FINISH
 HOUSING - PASSIVATED STAINLESS STEEL
 CONDUCTOR - GOLD PLATED IAW MIL-PRF-39012

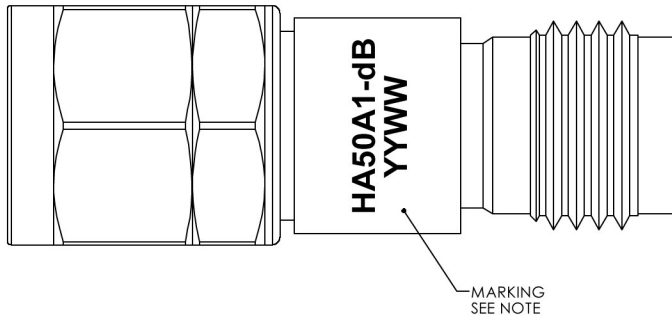
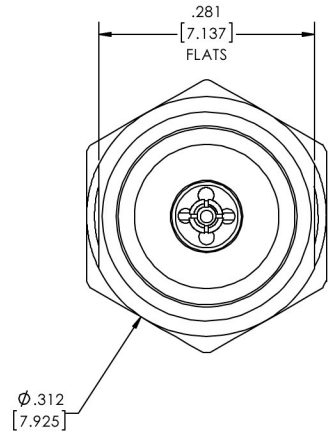
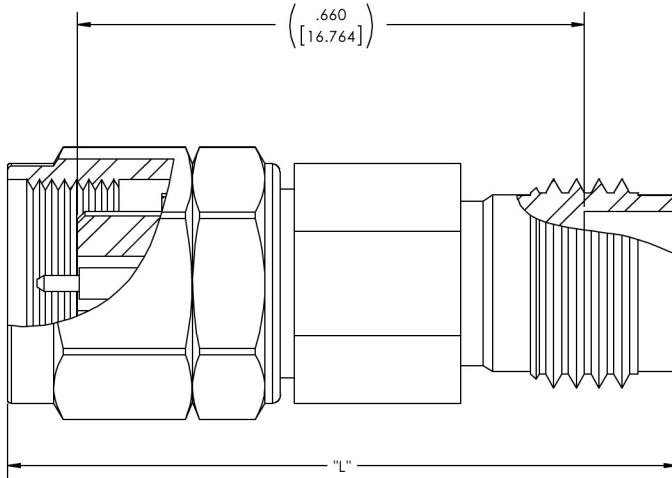
DB VALUE LENGTH "L"
 0-20 .871±.030
 30 .911±.030

MARKING
 PART LOOKS LIKE PRODUCT IMAGE ABOVE.
 PART MARKING ORIENTATION AND FORMAT AS SHOWN (CURVED SURFACE).
 dB = SEE WORK ORDER FOR TWO DIGIT dB VALUE.
 MARKING TO BE AS LARGE AS POSSIBLE.
 YYWW EQUALS DATE CODE/

-dB	dB VALUE
03	3
04	4
05	5
06	6
07	7
08	8
09	9
10	10
20	20
30	30



REVISIONS				
REV	DESCRIPTION	ECO #	DATE	APPROVED
-	INITIAL RELEASE	14-191	5/2/14	T.KUHN
A	ADDED 4, 5, 7, 8, 9 DB VALUES	15-119	4/28/15	T.KUHN



<small>DRAWING PRACTICES PER ANSI Y14.5 31-42-10 & 1002</small>	<small>UNLESS OTHERWISE SPECIFIED TOLERANCES IN:</small> DECIMALS INCH (MM)	<small>DRAWN</small> McCORMICK 05/02/14	<small>DATE</small> 05/02/14	HASCO, INC COMPONENTS DISTRIBUTOR <small>5214 Bonsai Street Moorpark, CA (888) 498-3242 www.hasco-inc.com</small>
<small>DIMENSIONS ARE IN INCHES AND APPLY BEFORE/AFTER PROCESSING</small>	X" .05" [1.27] XX" .03" [.76] XXX" .010" [.25]	<small>CHECKED</small> McCORMICK 05/02/14	<small>DATE</small> 05/02/14	
<small>SURFACE ROUGHNESS INCHES</small> 63		<small>ENG APPR.</small> T.KUHN	<small>DATE</small> 05/02/14	
<small>FINISH</small> SEE NOTES				
<small>MATERIAL:</small> SEE NOTES	<small>ANGLES ±0°30'</small> REMOVE ALL BURRS/SHARP VW BREAK / R OF .003" TO .0005" UNLESS OTHERWISE NOTED DIAS CONCENTRIC <.003 T.I.	<small>THESE DRAWINGS AND SPECIFICATIONS ARE THE PROPERTY OF HASCO COMPONENTS AND SHALL NOT BE REPRODUCED, COPIED NOR USED - IN WHOLE OR IN PART - AS A BASIS FOR THE MANUFACTURE OR SALE OF OTHER ITEMS WITHOUT THE EXPRESS WRITTEN PERMISSION OF HASCO COMPONENTS</small>		
<small>NOTE:</small> THIS DRAWING INCORPORATES THIRD ANGLE PROJECTION:	<small>DO NOT SCALE PRINT</small>	<small>SCALE</small> C	<small>CAGE CODE</small> 0T8L4	<small>TITLE</small> ATTENUATOR, 2.4mm-m/f, DC-50GHz
<small>INTERPRET IAW ANSI Y14.5-1982</small>		<small>DRAWING NUMBER</small> HA50A1-dB	<small>REV</small> A	<small>SHEET 1 OF 1</small>