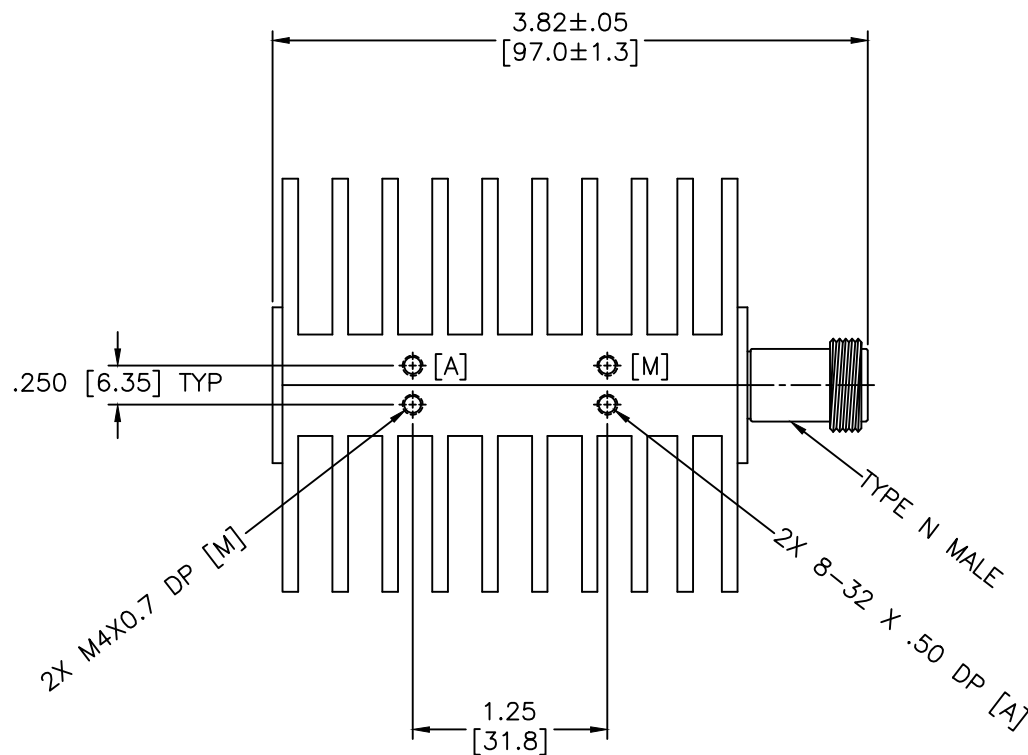


REVISIONS				
ZONE	REV	DESCRIPTION	Date	APPROVED



**SPECIFICATIONS**

FREQUENCY RANGE	DC to 18.0 GHz
VSWR	Max.
DC - 6.0 GHz	1.25:1
6.0 - 12.4 GHz	1.35:1
12.4 - 18.0 GHz	1.45:1
IMPEDANCE	50 Ohms
INPUT POWER	50 Watts Avg @ +25°C
	Derated Linearly to 10 Watts @ +125°C
PEAK POWER	500 Watts Max.
OPERATING TEMP. RANGE	-65°C to +125°C

MATERIAL:	
DRAWN:	DATE:
Paiboon Luexhamhan	02-22-2006
APPROVED:	DATE:
T. Nguyen	02-22-2006

	MICROWAVE COMMUNICATIONS LABORATORIES INC. 7255 30TH AVE. N. SAINT PETERSBURG, FL 33710 TEL: (727) 344-6254 FAX: (727) 381-6116 http://WWW.MCLI.COM		SCALE:	N/A
	UNLESS OTHERWISE SPECIFIED: TOLERANCES IN (INCHES) OR [mm] (MILLIMETERS) FRACTIONS: ± 1/64 DECIMALS: ± .01 ± .005 ANGLE: ± 1/2°		SHEET:	N/A
DRAWING TITLE: <b>TERMINATION</b>		PART NO.:		
DRAWING TITLE: <b>TNF-50</b>		CAGE CODE:		
DRAWING TITLE: <b>OD2L5</b>		SIZE:	N/A	REV:
DRAWING TITLE: <b>DO NOT SCALE THE DRAWING</b>		SIZE:	N/A	REV:
DRAWING TITLE: 		DWG NO.:		
DRAWING TITLE: <b>83875</b>		DWG NO.:		