

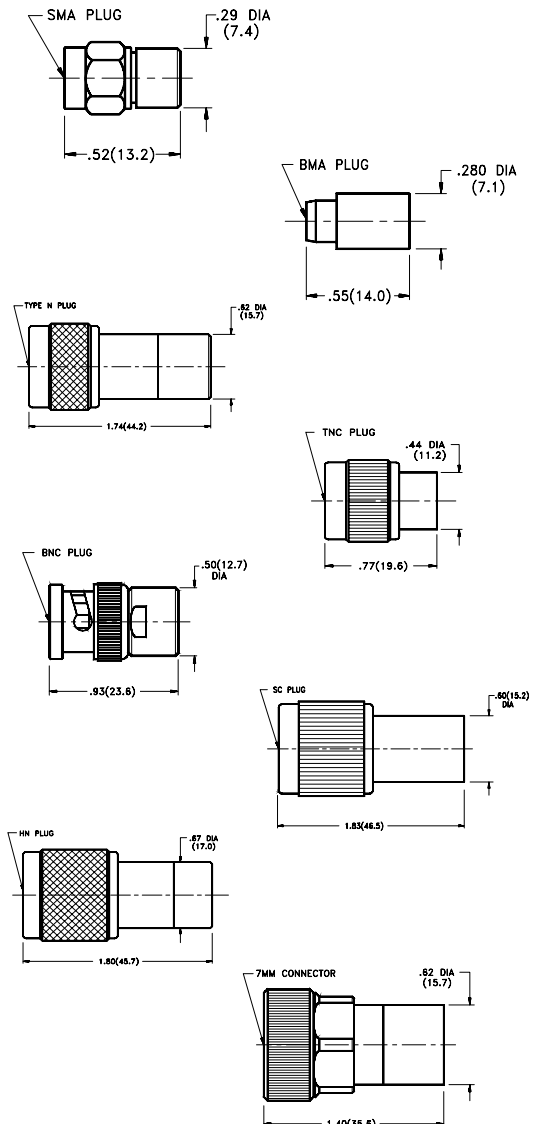
### Mismatches for Testing

- SMA, 7mm, N, TNC, BNC, and BMA types available
- Convenient for Phase Testing
- Small Size, Light Weight
- Bead Chain available on all Models

Midwest Microwave's series of Plug and Jack Mismatches are conveniently offered in all of the popular connector interfaces. They are particularly useful for performing phase measurement tests. The units are available in eight standard mismatch values and special versions are available on request. All of the units are finished in passivated stainless steel except for the BNC type which is nickel plated brass.



Connector Type	Model Numbers	
	Male Plug	Female Jack
SMA	MSM-2170-MX-SMA-02	MSM-2170-FX-SMA-02
BMA*	MSM-2170-FX-BMA-02	MSM-2170-MX-BMA-02
Type N	MSM-2170-MX-NNN-02	MSM-2170-FX-NNN-02
TNC	MSM-2170-MX-TNC-02	MSM-2170-FX-TNC-02
BNC	MSM-2169-MX-BNC-10	MSM-2169-FX-BNC-10
SC	MSM-2169-MX-SC0-02	MSM-2169-FX-SC0-02
HN	MSM-2169-MX-HN0-02	MSM-2169-FX-HN0-02
7mm	MSM-2170-0X-7MM-02	



X = Mismatch Value dash No., Select from chart below and substitute in Model No.

X Dash No.	Mismatch Value	VSWR	
		DC - 4 GHz	4 - 18 GHz
- 1	1.05	± 0.05	± 0.05
- 2	1.10	± 0.05	± 0.07
- 3	1.20	± 0.05	± 0.10
- 4	1.30	± 0.05	± 0.10
- 5	1.40	± 0.05	± 0.10
- 6	1.50	± 0.05	± 0.10
- 7	1.75	± 0.10	± 0.15
- 8	2.00	± 0.10	± 0.20

Note: 1. Plug Models are shown above, Jack Models are shown on the opposite page.  
 2. \* BMA units are "Female Plug" and "Male Jack".  
 3. SC, HN, and BNC Types are rated to 4 GHz only.