



## TNC Tee Adapter Female-Female-Female

### TECHNICAL DATA SHEET

PE9289

#### TNC Tee Adapter Female-Female-Female

##### Configuration

Connector 1	TNC Female
Impedance 1	50 Ohms
Connector 2	TNC Female
Impedance 2	50 Ohms
Connector 3	TNC Female
Adapter Design	Standard
Body Style	Tee

##### Mechanical Specifications

###### Size

Length, in [mm]	1.275 [32.39]
Width/Dia., in [mm]	0.438 [11.13]
Height, in [mm]	0.942 [23.93]

###### Connector 1

Type	TNC Female
Inner Conductor Material and Plating	Brass, Gold
Body Material and Plating	Brass, Nickel
Dielectric Type	Teflon

###### Connector 2

Type	TNC Female
Inner Conductor Material and Plating	Brass, Gold
Body Material and Plating	Brass, Nickel
Dielectric Type	Teflon

###### Connector 3

Type	TNC Female
Inner Conductor Material and Plating	Brass, Gold
Body Material and Plating	Brass, Nickel
Dielectric Type	Teflon

##### Compliance Certifications (visit [www.Pasternack.com](http://www.Pasternack.com) for current document)

RoHS Compliant	Yes
----------------	-----

##### Plotted and Other Data

Notes: Values at 25 °C, sea level

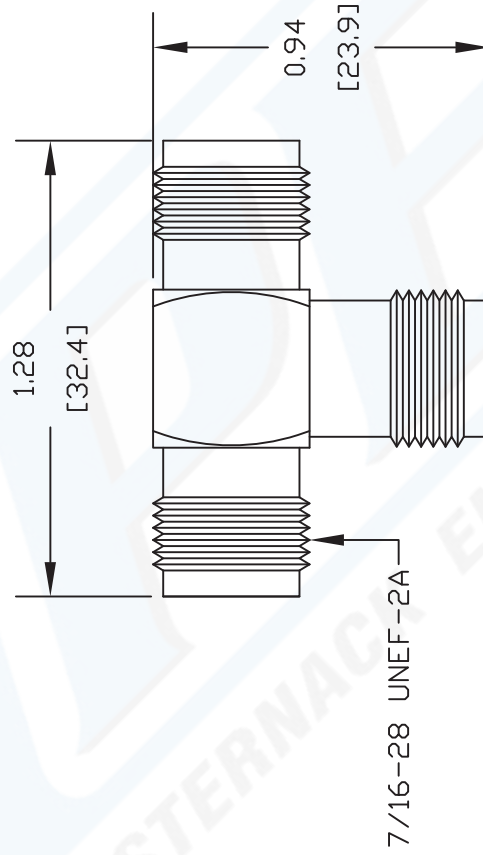
URL: <http://www.pasternack.com/tnc-female-female-female-tee-adapter-pe9289-p.aspx>

TNC Tee Adapter Female-Female-Female from Pasternack Enterprises has same day shipment for domestic and International orders. Our RF, microwave and fiber optic products maintain a 99% availability and are part of the broadest selection in the industry.

The information contained in this document is accurate to the best of our knowledge and representative of the part described herein. It may be necessary to make modifications to the part and/or the documentation of the part, in order to implement improvements. Pasternack reserves the right to make such changes as required. Unless otherwise stated, all specifications are nominal.

# PE9289 CAD Drawing

## TNC Tee Adapter Female-Female-Female



**NOTES:**  
 1. UNLESS OTHERWISE SPECIFIED ALL DIMENSIONS ARE NOMINAL.  
 2. ALL SPECIFICATIONS ARE SUBJECT TO CHANGE WITHOUT NOTICE AT ANY TIME.  
 3. DIMENSIONS ARE IN INCHES [mm].

DWG TITLE  
**PE9289**

127

SIZE A

SCALE N/A

CAD FILE 090402

FSCM NO. 53919

REV. -

**PE PASTERNAK®**  
 Pasternack Enterprises, Inc.  
 P.O. Box 16759 | Irvine | CA | 92623  
**Phone:** (949) 261-1920 | **Fax:** (949) 261-7451  
**Website:** www.pasternack.com | **E-Mail:** sales@pasternack.com