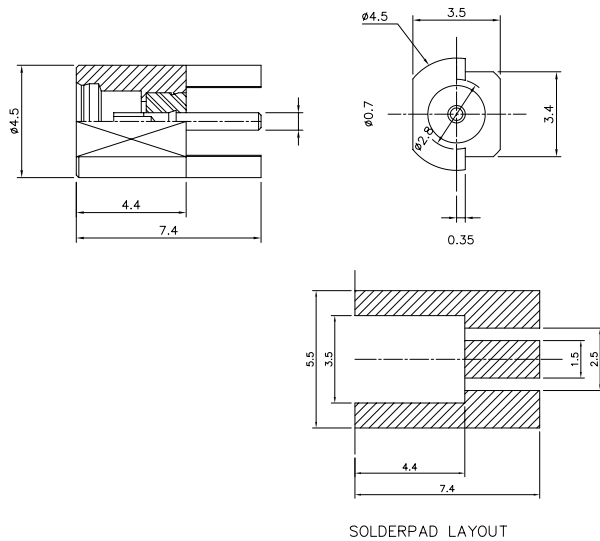
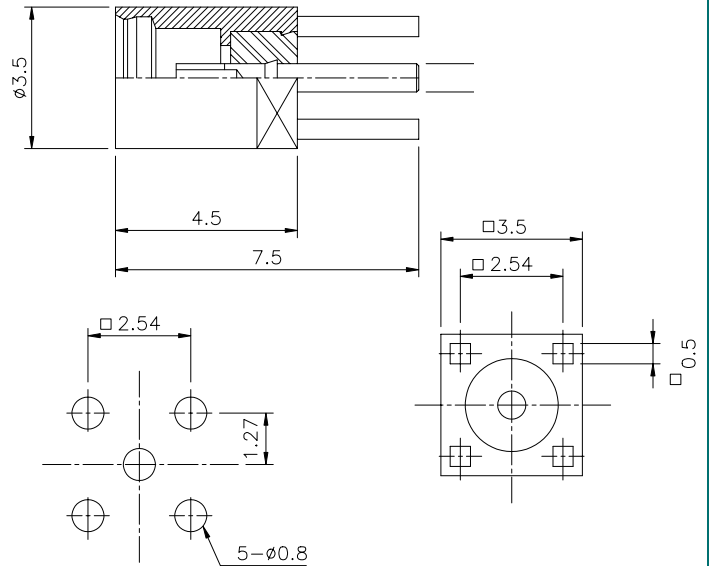


**(MMCX-SMT Jack
Edge Mount)**



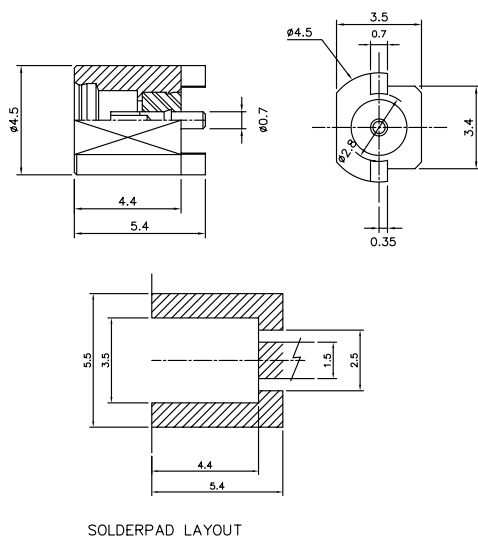
PART #
MMCX-12000-1001

(MMCX-SJ-PCB)



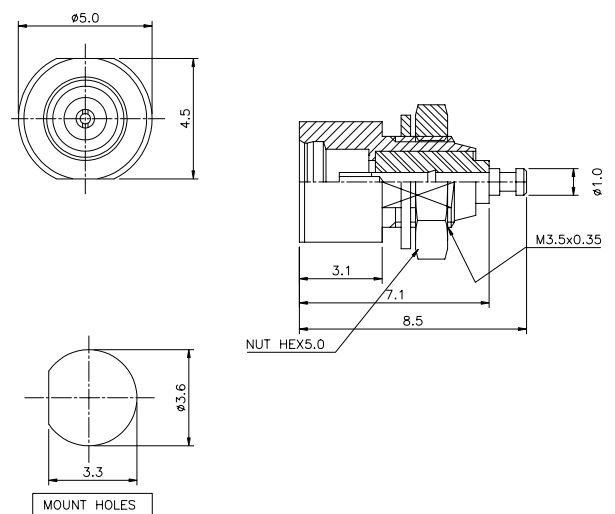
PART #
MMCX-12000-1003

**(MMCX-SMT Jack
Edge Mount)**



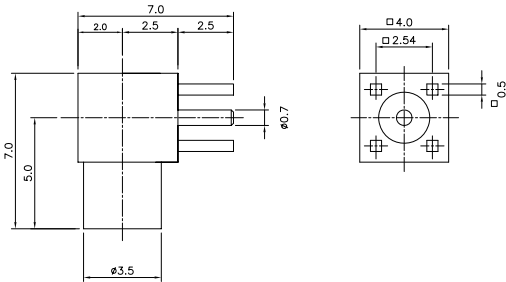
PART #
MMCX-12000-1002

(MMCX-B/H Jack Receptacle)



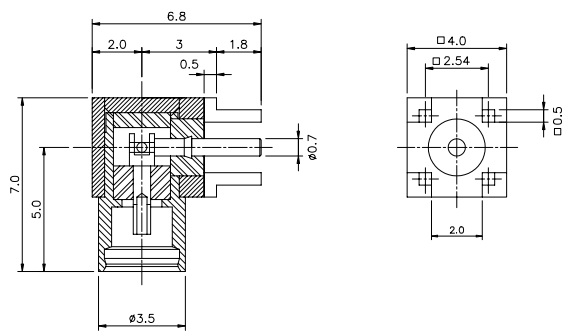
PART #
MMCX-12000-1004

(MMCX-Right Angle Jack PB)



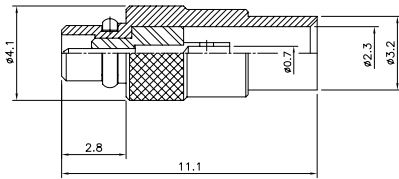
PART #
MMCX-12000-1005

(MMCX-Right Angle Jack)



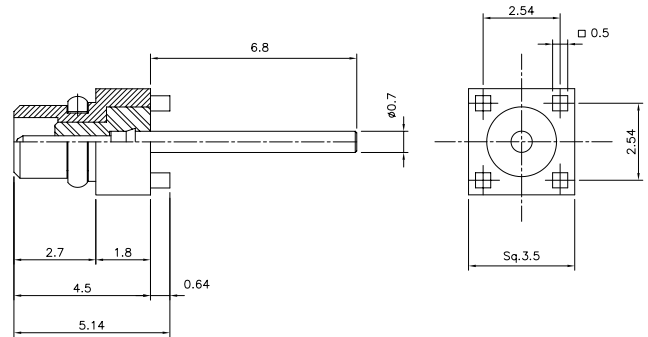
PART #
MMCX-12000-1006

(MMCX-Straight Plug for UT-085)



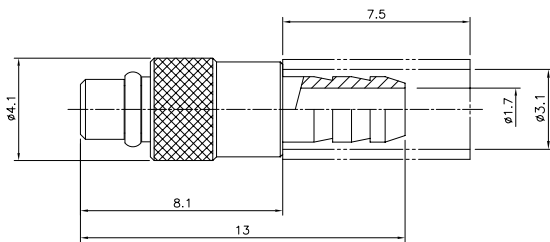
PART #
MMCX-12000-2001

(MMCX-Straight Plug PCB Mount)



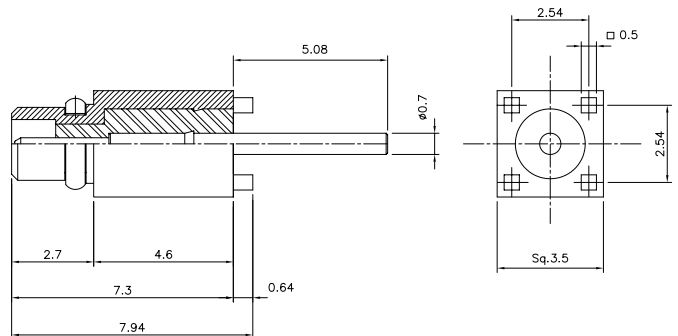
PART #
MMCX-12000-2003

(MMCX-Straight Plug for Cable RG 316,174)



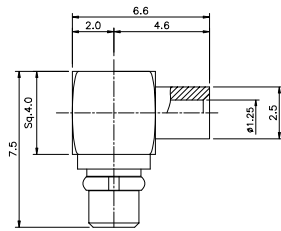
PART #
MMCX-12000-2002

(MMCX-Straight Plug PCB Mount)



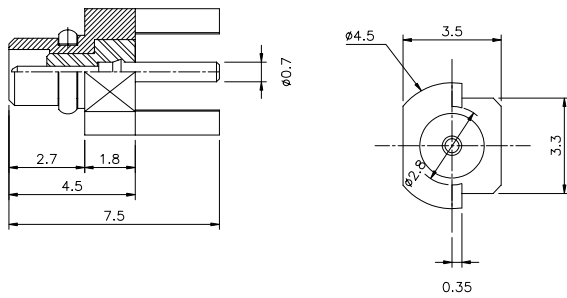
PART #
MMCX-12000-2004

(MMCX-Right Angle Plug
for UT-047)



PART #
MMCX-12000-2005

(MMCX-SMT Plug
Edge Mount)



PART #
MMCX-12000-2006