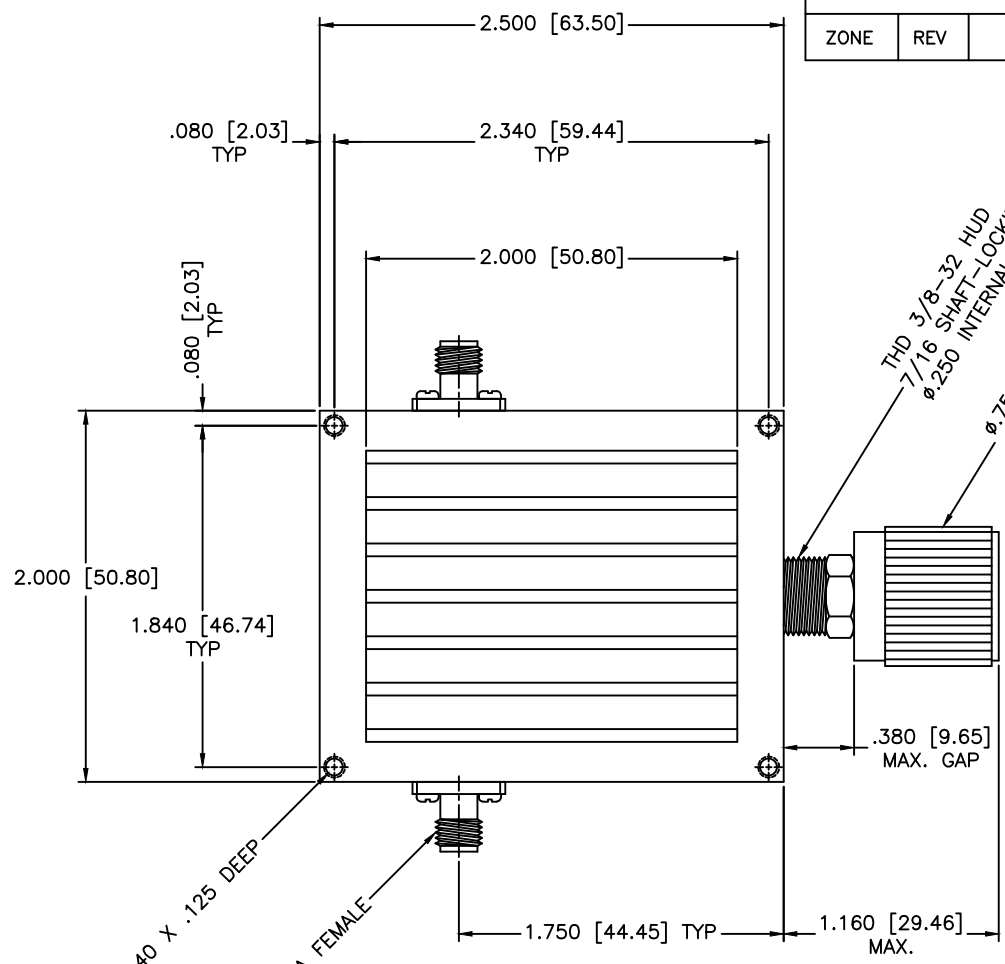
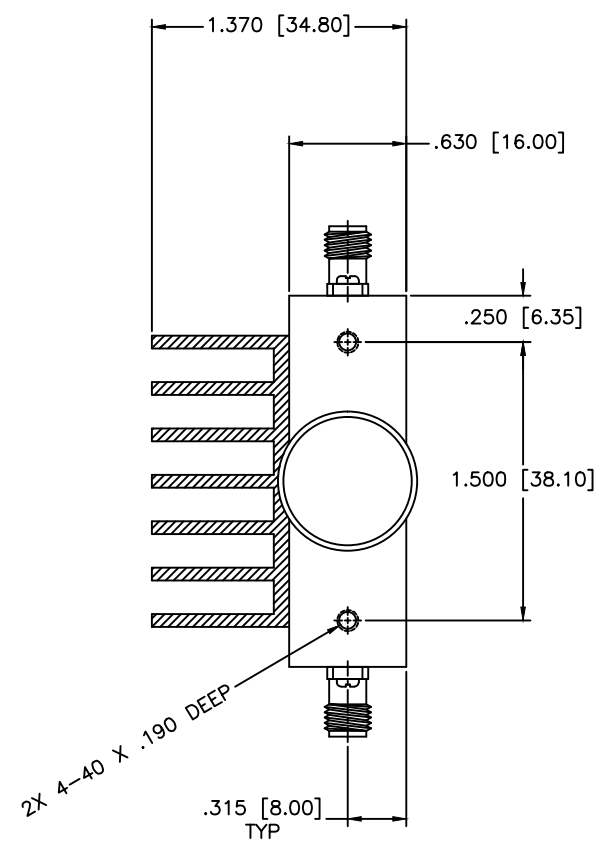


REVISIONS				
ZONE	REV	DESCRIPTION	DATE	APPROVED



THD 3/8-32 HUD
7/16 SHAFT-LOCKING NUT
ø.250 INTERNAL SLOTTED SHAFT
ø.750 [ø.19.05]
CONTROL KNOB



SPECIFICATION

Frequency Range: 11.7-18 GHz
Attenuation: 15dB
Insertion Loss: 0.5 Max.
VSWR: 1.50:1 Max.
RF Power: 30W Average, 5kW Peak

MATERIAL:	
DRAWN: Paiboon Luekhamhan	DATE: 02-10-2011
APPROVED: T. Nguyen	DATE: 02-10-2011

MCLI MICROWAVE COMMUNICATIONS LABORATORIES INC.
7255 30TH AVE. N. SAINT PETERSBURG, FL 33710
TEL: (727) 344-6254 FAX: (727) 381-6116
http://WWW.MCLI.COM

SCALE:	N/A
SHEET:	N/A

UNLESS OTHERWISE SPECIFIED: TOLERANCES IN (INCHES) OR [mm] (MILLIMETERS) FRACTIONS: ± 1/64 DECIMALS: ± 0.015 ANGLE: ± 1/2°	DRAWING TITLE: CONTINUOUSLY VARIABLE ATTENUATOR, HIGH POWER
PROPRIETARY NOTICE: THE INFORMATION IN THIS DRAWING IS PROPRIETARY AND SHALL NOT BE USED OR DISCLOSED WITHOUT WRITTEN PERMISSION FROM MICROWAVE COMMUNICATIONS LABORATORIES INC. (MCLI)	PART NO. HA30-9-15
THIRD ANGLE PROJECTION 	CAGE CODE: OD2L5
	SIZE: A
	REV: N/A
	DWG NO. 85489
DO NOT SCALE THE DRAWING	