



Reverse Polarity SMA Female to
Reverse Polarity SMA Female Adapter

TECHNICAL DATA SHEET

PE91262

Configuration

Connector 1	SMA Female Reverse Polarity
Impedance 1	50 Ohms
Connector 2	SMA Female Reverse Polarity
Impedance 2	50 Ohms
Adapter Design	Standard
Body Style	Straight

Electrical Specifications

Frequency Range	DC to 18 GHz
Maximum VSWR	1.2:1
Maximum Operating Voltage, Vrms	335
Dielectric Withstanding Voltage, Vrms	1,500
Minimum Insulation Resistance, mOhms	5,000

Mechanical Specifications

Size	
Length, in [mm]	0.592 [15.04]
Width/Dia., in [mm]	0.312 [7.92]

Connector 1

Type	SMA Female Reverse Polarity
Inner Conductor Material and Plating	Beryllium Copper, Gold
Inner Conductor Plating Specification	MIL-G-45204
Body Material and Plating	Passivated Stainless Steel
Body Plating Specification	QQ-P-35
Dielectric Type	PTFE

Connector 2

Type	SMA Female Reverse Polarity
Inner Conductor Material and Plating	Beryllium Copper, Gold
Inner Conductor Plating Specification	MIL-G-45204
Body Material and Plating	Passivated Stainless Steel
Body Plating Specification	QQ-P-35
Dielectric Type	PTFE

Environmental Specifications

Temperature	
Operating Range	-65 to +165 deg C

Compliance Certifications (visit www.Pasternack.com for current document)

RoHS Compliant	
REACH Compliant	06/06/2014

Click the following link (or enter part number in "SEARCH" on website) to obtain additional part information including price, inventory and certifications: [Reverse Polarity SMA Female to Reverse Polarity SMA Female Adapter PE91262](#)



Reverse Polarity SMA Female to Reverse Polarity SMA Female Adapter

TECHNICAL DATA SHEET

PE91262

Plotted and Other Data

Notes:

- Values at +25 °C, sea level

Reverse Polarity SMA Female to Reverse Polarity SMA Female Adapter from Pasternack Enterprises has same day shipment for domestic and International orders. Our RF, microwave and millimeter wave products maintain a 99% availability and are part of the broadest selection in the industry.

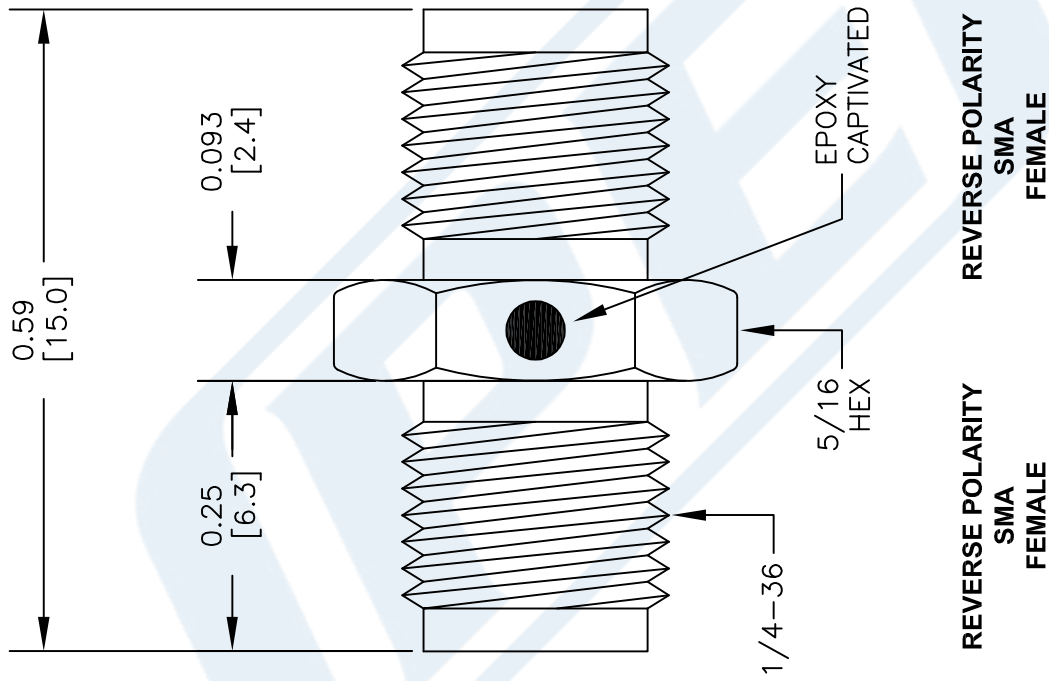
Click the following link (or enter part number in "SEARCH" on website) to obtain additional part information including price, inventory and certifications: [Reverse Polarity SMA Female to Reverse Polarity SMA Female Adapter PE91262](#)

URL: <http://www.pasternack.com/sma-female-sma-female-straight-adapter-pe91262-p.aspx>

The information contained in this document is accurate to the best of our knowledge and representative of the part described herein. It may be necessary to make modifications to the part and/or the documentation of the part, in order to implement improvements. Pasternack reserves the right to make such changes as required. Unless otherwise stated, all specifications are nominal. Pasternack does not make any representation or warranty regarding the suitability of the part described herein for any particular purpose, and Pasternack does not assume any liability arising out of the use of any part or documentation.

PE91262 CAD Drawing

Reverse Polarity SMA Female to Reverse Polarity SMA Female Adapter



DWG TITLE

PE91262

NOTES:
 1. UNLESS OTHERWISE SPECIFIED ALL DIMENSIONS ARE NOMINAL.
 2. ALL SPECIFICATIONS ARE SUBJECT TO CHANGE WITHOUT NOTICE AT ANY TIME.
 3. DIMENSIONS ARE IN INCHES [mm].

FSCM NO. 53919

CAD FILE 122914

SCALE N/A

SIZE A

150



PASTERNAK
 THE ENGINEER'S RF SOURCE
 Pasternack Enterprises, Inc.
 P.O. Box 16759 | Irvine | CA | 92623

Phone: (949) 261-1920 | Fax: (949) 261-7451

Website: www.pasternack.com | E-Mail: sales@pasternack.com