



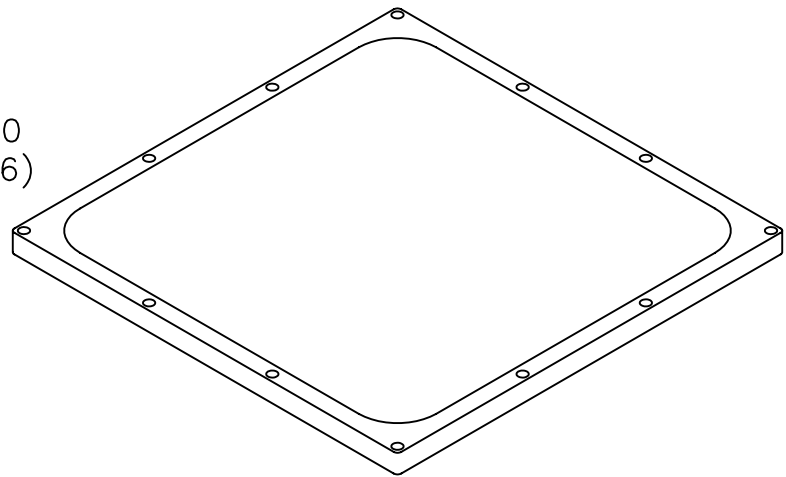
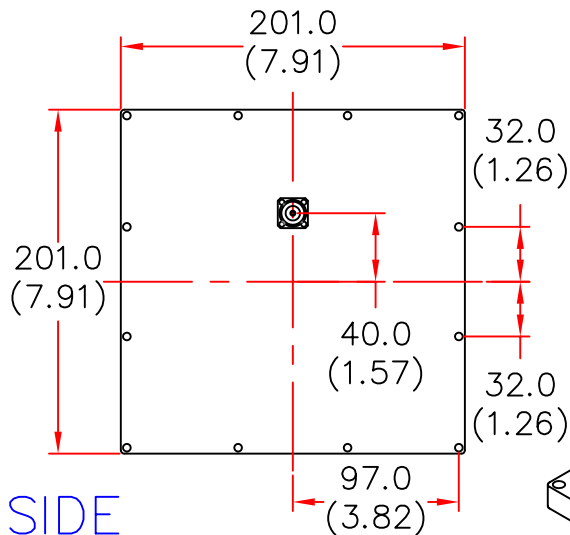
EUROPEAN ANTENNAS



FLAT PANEL ANTENNA

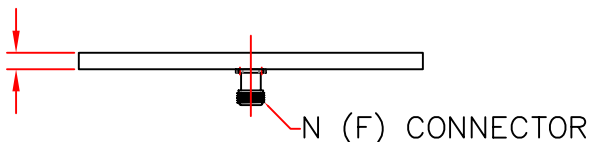
MODEL: FPA19-52R/408

FREQUENCY: 5.15 – 5.35 GHz	GAIN: 18 dBiC
POLARISATION: R H Circular	BEAMWIDTH: 20° x 20°
AXIAL RATIO: 1 dB Typ	VSWR: 1.5:1
POWER RATING: 10W	FRONT TO BACK: 20 dB
TEMPERATURE: -20°C to +50°C	MASS: 800g 1.76lbs
RADOME: Glass fibre/gloss white	WIND LOADING: 14.42Kg/6.55lbs @ 100mph



ISOMETRIC VIEW

9.7
(0.38)



END VIEW

DIMENSIONS: mm (inches)

GA 408-1 Issued 060598

EUROPEAN ANTENNAS LTD.

TEL: +44 (0)1638 731888

LAMBDA HOUSE, CHEVELEY,
NEWMARKET, SUFFOLK, CB8 9RG,
UNITED KINGDOM.

FAX: +44 (0)1638 731999

European Antennas Ltd. has a policy of continuous development and therefore stress that the data contained on this sheet should be used for guidance only.