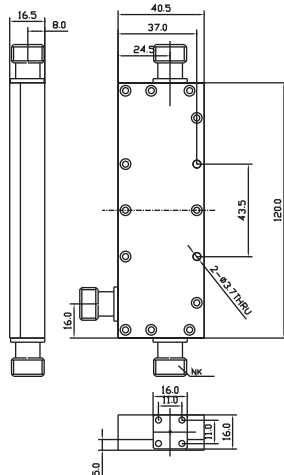


DIRECTIONAL COUPLER

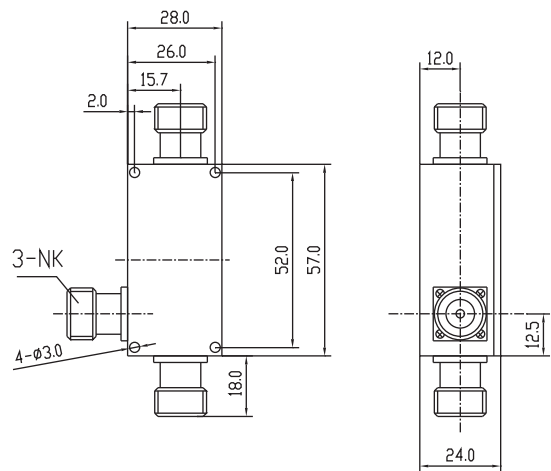
- High Directivity
- High Power Handling
- High Isolation
- SMA or N Connectors
- Wireless Applications
- Wide Operation Temperature Range
- Custom Design Available Upon Request



DIRECTIONAL COUPLER							
FREQUENCY (GHz)		MODEL	FREQUENCY	COUPLING	DIRECTIVITY	V SWR	POWER
F1	F2	NUMBER	SENSITIVITY (dB)	(dB)	(dB) MIN	MAX	(W)
0.800~2.500		HDC0800T2500C5N10	3.0 Max	5±1	20	1.30	100
		HDC0800T2500C6N10	3.0 Max	6±1			
		HDC0800T2500C7N10	1.4 Max	7±1			
		HDC0800T2500C10N10	0.8 Max	10±1			
		HDC0800T2500C15N10	0.3 Max	15±1			
		HDC0800T2500C20N10	0.1 Max	20±1			
1.710~2.500		HDC0800T2500C30N10	0.1 Max	30±1	20	1.30	50
		HDC1710T2500C5N10	2.0 Max	5±0.5			
		HDC1710T2500C6N10	2.0 Max	6±0.5			
		HDC1710T2500C7N10	1.3 Max	7±0.5			
		HDC1710T2500C10N10	0.7 Max	10±0.5			
		HDC1710T2500C15N10	0.3 Max	15±0.6			
	HDC1710T2500C20N10	0.3 Max	20±0.7				
FREQUENCY (GHz)		MODEL	INTERMODULATION	OPERATING	SIZE L*W*H	CONNECTOR	PACKAGE
F1	F2	NUMBER	(dBc) MAX	TEMP (°C)	(mm)	TYPE	CODE
0.800~2.500		HDC0800T2500C5N10	-125	-30~+60	120*40*16.5	N-F	DC01
		HDC0800T2500C6N10					
		HDC0800T2500C7N10					
		HDC0800T2500C10N10					
		HDC0800T2500C15N10					
		HDC0800T2500C20N10					
1.710~2.500		HDC0800T2500C30N10	-125	-30~+60	57*28*24	N-F	DC02
		HDC1710T2500C5N10					
		HDC1710T2500C6N10					
		HDC1710T2500C7N10					
		HDC1710T2500C10N10					
		HDC1710T2500C15N10					
	HDC1710T2500C20N10						



DC01-DIRECTIONAL COUPLER



DC02-DIRECTIONAL COUPLER



JQL ELECTRONICS INC.
 1-888-236-9828 (USA) 1-630-930-9917 (International) sales@jqlelectronics.com