



N Male to Reverse Polarity N Female Adapter

TECHNICAL DATA SHEET

PE9771

Configuration

Connector 1	N Male
Impedance 1	50 Ohms
Connector 2	N Female Reverse Polarity
Impedance 2	50 Ohms
Adapter Design	Standard
Body Style	Straight

Mechanical Specifications

Size

Length, in [mm]	1.73 [43.94]
Width/Dia., in [mm]	0.83 [21.08]

Connector 1

Type	N Male
Inner Conductor Material and Plating	Brass, Gold
Coupling Nut Material and Plating	Brass, Nickel
Body Material and Plating	Brass, Nickel
Dielectric Type	Teflon

Connector 2

Type	N Female Reverse Polarity
Inner Conductor Material and Plating	Brass, Gold
Body Material and Plating	Brass, Nickel
Dielectric Type	Teflon

Environmental Specifications

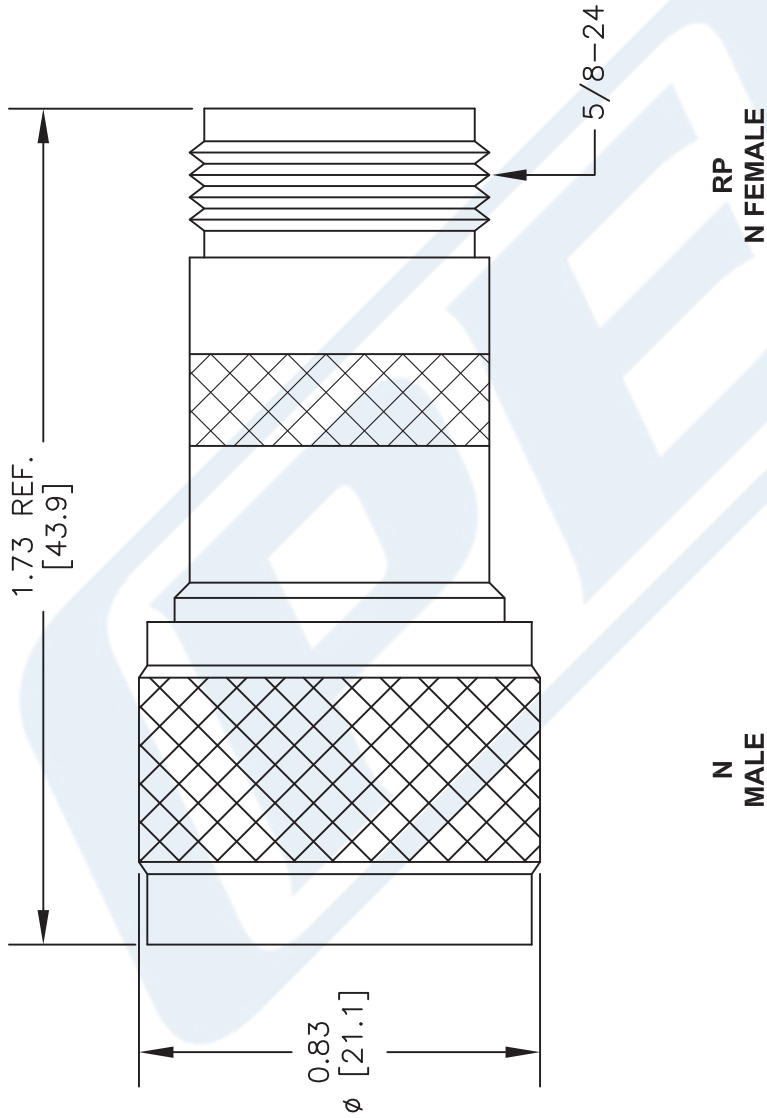
Compliance Certifications (visit www.Pasternack.com for current document)

RoHS Compliant	
REACH Compliant	12/19/2011

Click the following link (or enter part number in "SEARCH" on website) to obtain additional part information including price, inventory and certifications: [N Male to Reverse Polarity N Female Adapter PE9771](#)

PE9771 CAD Drawing

N Male to Reverse Polarity N Female Adapter



DWG TITLE

PE9771

NOTES:
 1. UNLESS OTHERWISE SPECIFIED ALL DIMENSIONS ARE NOMINAL.
 2. ALL SPECIFICATIONS ARE SUBJECT TO CHANGE WITHOUT NOTICE AT ANY TIME.
 3. DIMENSIONS ARE IN INCHES [mm].

FSCM NO. 53919

CAD FILE 110614

SCALE N/A

SIZE A

2233



Pasternack Enterprises, Inc.
 P.O. Box 16759 | Irvine | CA | 92623
Phone: (949) 261-1920 | **Fax:** (949) 261-7451
Website: www.pasternack.com | **E-Mail:** sales@pasternack.com