

# RFID FLAT PANEL ANTENNA FPA0-0.4R/9401



## ELECTRICAL

FREQUENCY:	433 MHz
GAIN:	0 dBiC
POLARISATION:	Right Hand Circular
BEAMWIDTH:	80° (Az) x 80° (Ei)
AXIAL RATIO:	<3 dB
VSWR:	<1.5:1
POWER RATING:	5 W
FRONT TO BACK:	>30 dB

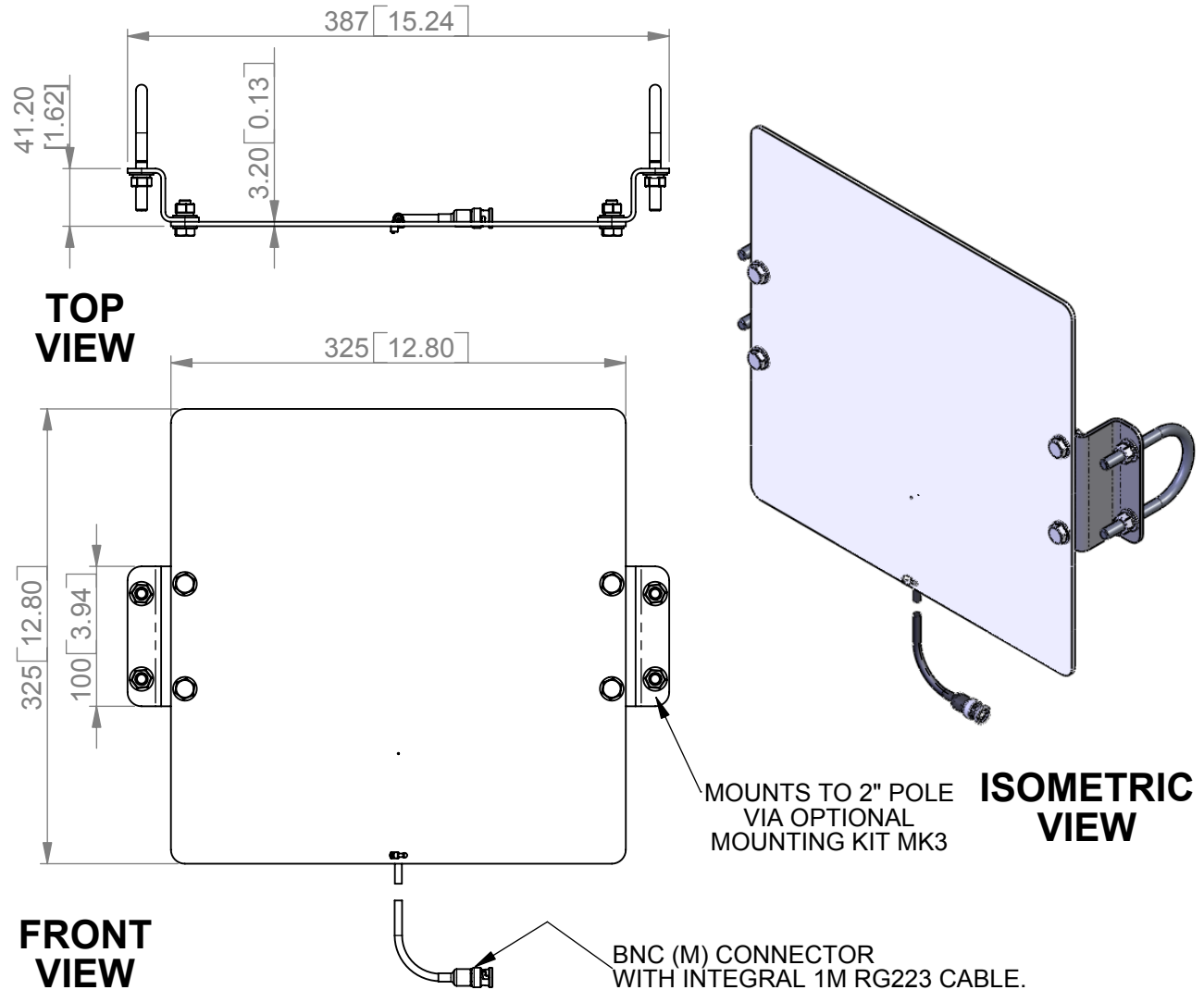
## MECHANICAL

STANDARD FINISH:	Gloss White
MASS:	750 g / 1.65 lbs
TEMPERATURE:	-20° to +50°C
WIND LOADING:	17.13 Kg / 37.6 lbs @ 100 mph

## MOUNTING OPTIONS

KITS AVAILABLE: MK3  
See Separate Data Sheets

GA: 9401-2      Issued: 260907  
DIMENSIONS: mm [inches]      M



FPA0-0.4R/9401

European Antennas Ltd. has a policy of continuous development and therefore stress that the data contained on this sheet should be used for guidance only.

European Antennas Ltd. is part of the Cobham Antennas Division



Certificate No 9268

European Antennas Ltd  
Lambda House, Cheveley  
Newmarket, Suffolk, CB8 9RG, UK  
Tel: +44 (0)1638 731888  
sales@european-antennas.co.uk  
[www.european-antennas.co.uk](http://www.european-antennas.co.uk)