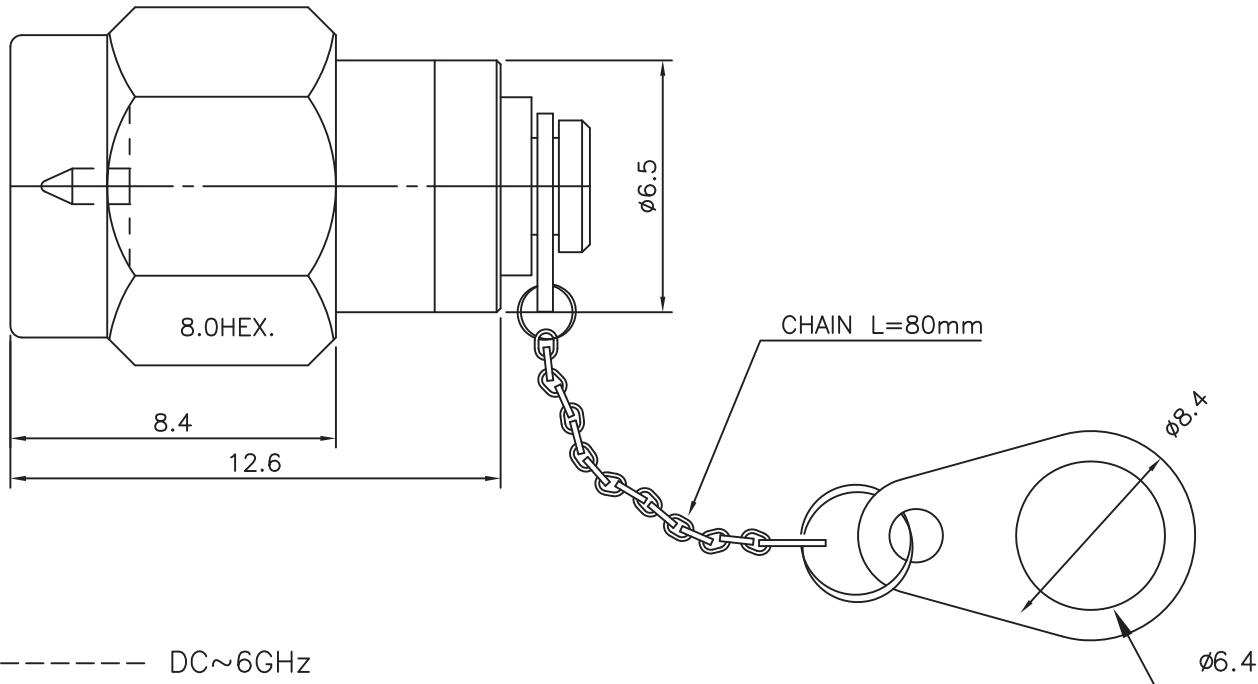


4	5	6
No.	Revision	Date
△	PN Change from 1S-901-L80	08/MAY/2014
△		
		Name
		S.J.PARK

RoHS Compliant



SPECIFICATIONS

Frequency Range----- DC~6GHz
 VSWR-----1.15:1Max.
 Impedance----- 50 Ohms
 Power Rating----- 1 watts
 Oper Temp Range----- -35°C~+85°C

CONNECTOR----- Brass/Gold plated
 Conductors----- Brass/Gold plated
 Chain----- Brass/Gold plated

SMA-PLUG
 TERMINATION with CHAIN

NO.	DESCRIPTION	Q'TY	MATERIAL	FINISH	REMARKS.
PARTS No.	T20-001-01	NAME	SMA-M-TERMINATION		APPROVED
MATERIAL	FINISH	TOLERANCES OTHERWISE SPEC. ±0.05		ANGLES ±1°	CHECKED
SCALE	UNIT	mm			DESIGNED S.J.LEE
DWG NO.	SMA-901-004		DATE.		20/JUN/2008

CAGE **5AVK2**

Cross RF
 web: www.crossrf.com