



7/16 DIN Female to 7/16 DIN Female Adapter

TECHNICAL DATA SHEET

PE9409

7/16 DIN Female to 7/16 DIN Female Adapter

Configuration

Connector 1	7/16 DIN Female
Impedance 1	50 Ohms
Connector Specification 1	IEC 169-4
Connector 2	7/16 DIN Female
Impedance 2	50 Ohms
Connector Specification 2	IEC 169-4
Adapter Design	Standard
Body Style	Straight

Mechanical Specifications

Size

Length, in [mm]	1.38 [35.05]
Width/Dia., in [mm]	1.38 [35.05]

Connector 1

Type	7/16 DIN Female
Inner Conductor Material and Plating	Beryllium Copper, Gold
Inner Conductor Plating Specification	30µ in. minimum
Body Material and Plating	Brass, Nickel
Body Plating Specification	100µ in. minimum
Dielectric Type	Teflon

Connector 2

Type	7/16 DIN Female
Inner Conductor Material and Plating	Beryllium Copper, Gold
Inner Conductor Plating Specification	30µ in. minimum
Body Material and Plating	Brass, Nickel
Body Plating Specification	100µ in. minimum
Dielectric Type	Teflon

Compliance Certifications (visit www.Pasternack.com for current document)

RoHS Compliant	Yes
----------------	-----

Plotted and Other Data

Notes:	Values at 25 °C, sea level
--------	----------------------------

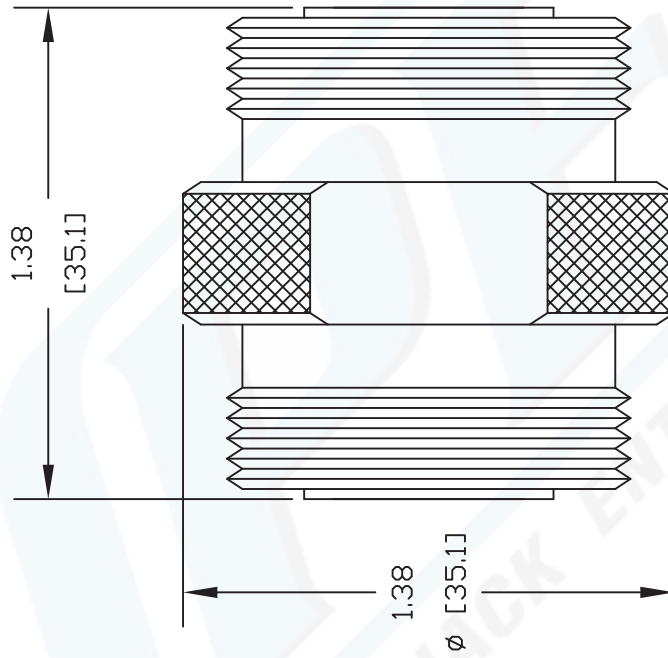
URL: <http://www.pasternack.com/7-16-din-female-7-16-din-female-straight-adapter-pe9409-p.aspx>

7/16 DIN Female to 7/16 DIN Female Adapter from Pasternack Enterprises has same day shipment for domestic and International orders. Our RF, microwave and fiber optic products maintain a 99% availability and are part of the broadest selection in the industry.

The information contained in this document is accurate to the best of our knowledge and representative of the part described herein. It may be necessary to make modifications to the part and/or the documentation of the part, in order to implement improvements. Pasternack reserves the right to make such changes as required. Unless otherwise stated, all specifications are nominal.



PE9409 CAD Drawing
7/16 DIN Female to 7/16 DIN Female Adapter



NOTES:
 1. UNLESS OTHERWISE SPECIFIED ALL DIMENSIONS ARE NOMINAL.
 2. ALL SPECIFICATIONS ARE SUBJECT TO CHANGE WITHOUT NOTICE AT ANY TIME.
 3. DIMENSIONS ARE IN INCHES [mm].

DWG TITLE
PE9409

PASTERNAK ENTERPRISES, INC.
 P O BOX 16759, IRVINE, CA 92623
 PHONE (949) 261-1920 FAX (949) 261-7451
 WEB ADDRESS: www.pasternack.com
 E-MAIL ADDRESS: sales@pasternack.com
COAXIAL & FIBER OPTICS



REV. -	FSCM NO. 53919	CAD FILE 052004	SCALE N/A	SIZE A	127
--------	----------------	-----------------	-----------	--------	-----