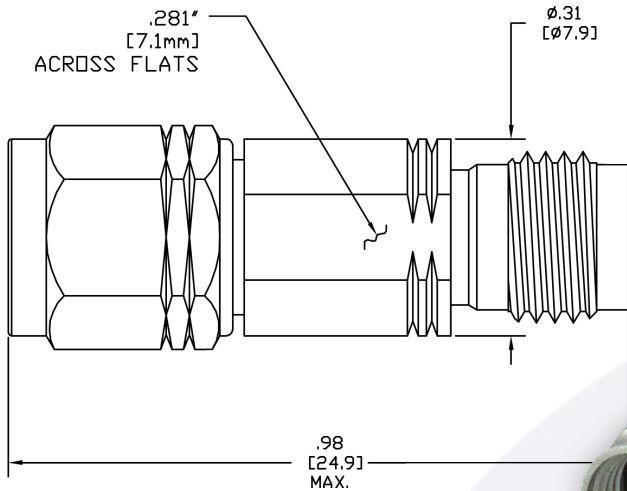




# 1.85 mm Attenuators • Male to Female • DC - 65 GHz

**Part No: HA65A-XX\*\***

\*\*Replace XX with dB Value



## Electrical

- **Frequency Range** DC - 65 GHz
- **Attenuation (dB)**

	DC-26.5 GHz	26.5-40 GHz	40-50 GHz	60-65 GHz
3, 6 dB	± 0.75 dB	± 1.0 dB	± 1.5 dB	± 1.5 dB
10 dB	± 0.75 dB	± 1.25 dB	± 1.5 dB	± 1.75 dB
15 & 20 dB	± 1.0 dB	± 1.25 dB	± 2.0 dB	± 2.5 dB
30 dB	± 1.25 dB	± 1.5 dB	± 2.0 dB	± 5.5 dB
- **VSWR**
  - DC - 26.5 GHz..1.35
  - 26.5 - 40 GHz ..1.55
  - 50 - 65 GHz .....1.65
- **Impedance** 50 Ohms
- **RF Power Nominal** @ 25°C - Derates linearly to 10% @100°C from +25°C
- **Temperature Range** -55°C - +100°C

## Materials

- **Housing**
  - Passivated Stainless Steel IAW
  - ASTM-A484 & ASTM-A582,
  - Alloy 303 Cond A
- **Contact**
  - Beryllium Copper
- **Dielectric**
  - High Temperature Plastic Bead
- **Conductor**
  - Gold Plated IAW MIL-PRF-39012