

Drop-in Circulators

Part Number: KTDC102M3-1

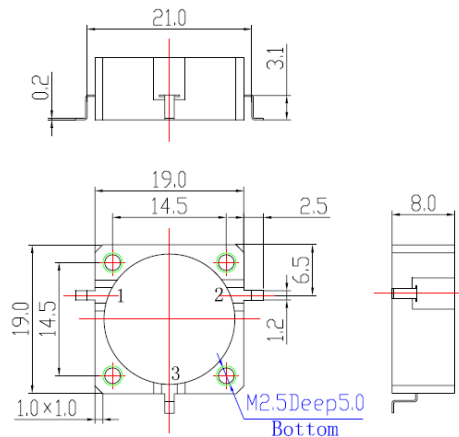
Main Features:

- Frequency Range: 1785 - 1805MHz, 1880 - 2025MHz, 2.3 - 2.4GHz
- Small Size, High Isolation, Low Insertion Loss, High Power Handling
- Wide Operating Temperature: -30°C~+70°C
- Commercial, Military and Space Applications

Electrical Specifications at Room Temperature:

Part Number	Freq. Range (GHz)	Bandwidth Max. (MHz)	Insertion Loss Max. (dB)	Isolation Min. (dB)	VSWR Max.	Average Power (W)	Connector Type
KTDC102M3-1	1.785 - 1.805	Full	0.3	21	1.20	100	TAB
KTDC102M3-1	1.880 - 2.205	Full	0.3	21	1.20	100	TAB
KTDC102M3-1	2.30 - 2.40	Full	0.3	21	1.20	100	TAB

Mechanical Dimensions (mm):



HOW TO ORDER

