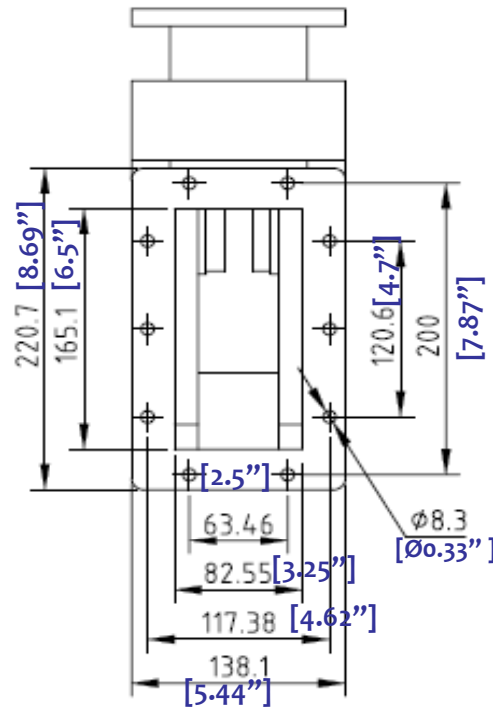
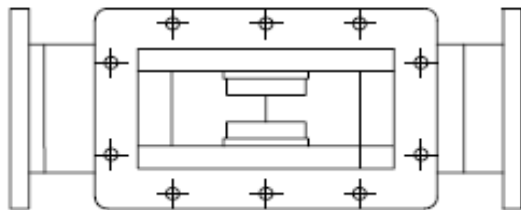
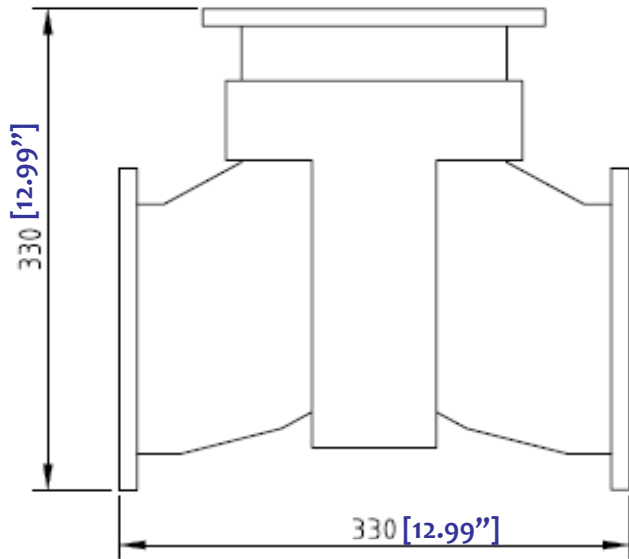



WAVEGUIDE HIGH POWER CIRCULATOR--- RFWC650A



1.0 Mechanical Specifications		
1.1	Waveguide type	Rectangular Waveguide WR650
1.2	Flange type	CPRG, CPRF, COVER, CHOKE available
1.3	Flange Holes	Through
1.4	Basis-material	Aluminum, Brass, Alloyed Cuprum, Stainless
1.5	External Body Finish	Body painted with gray/black epoxy enamel

2.0 Environment specifications		
2.1	Operation Temp.	-40°C~+85°C
2.2	Storage Temp.	-50°C~+125°C
2.3	Altitude	45000 ft
2.4	Vibration	10g rms (15 degree 2KHz)
2.5	Humidity	100% RH at 35c, 95%RH at 40 deg c
2.6	Shock	20G for 11msec

3.0 Electrical Specifications		
3.1	Frequency Range	1.12GHz ~ 1.70GHz
3.2	Bandwidth	200MHz (1.2~1.4GHz as shown)
3.3	Average Power	200W (CW)
3.4	Peak Power	3KW
3.5	Insertion Loss	0.25dB
3.6	Isolation	20dB
3.7	Max. VSWR	1.25:1

PAGE 1 OF 1		DATE Jun 15 th 2006
<small>PROPRIETARY INFORMATION THE INFORMATION CONTAINED IN THIS DOCUMENT IS THE PROPERTY OF RF-LAMBDA EXCEPT AS SPECIFICALLY AUTHORIZED IN WRITING BY RF-LAMBDA. THE HOLDER OF THIS DOCUMENT SHALL KEEP ALL INFORMATION CONTAINED HEREIN CONFIDENTIAL AND SHALL PROTECT SAME IN THE WHOLE OR IN PART FROM DISCLOSURE AND DISSEMINATION OF ALL THIRD PARTIES AND SHALL USE SAME FOR OPERATING AND MAINTENANCE PURPOSES ONLY</small>		DESIGN RFPFC
		RF-LAMBDA RFPFC
 RFWC650A WAVEGUIDE CIRCULATOR		CAD MODEL REVISION 19
		ASSEMBLY REVISION VS32
www.rflambda.com		ASSEMBLY NAME RFLVR07
		DRAWING NUMBER D05-A
RF-LAMBDA	SIZE LT	SHEETS 1 OF 1