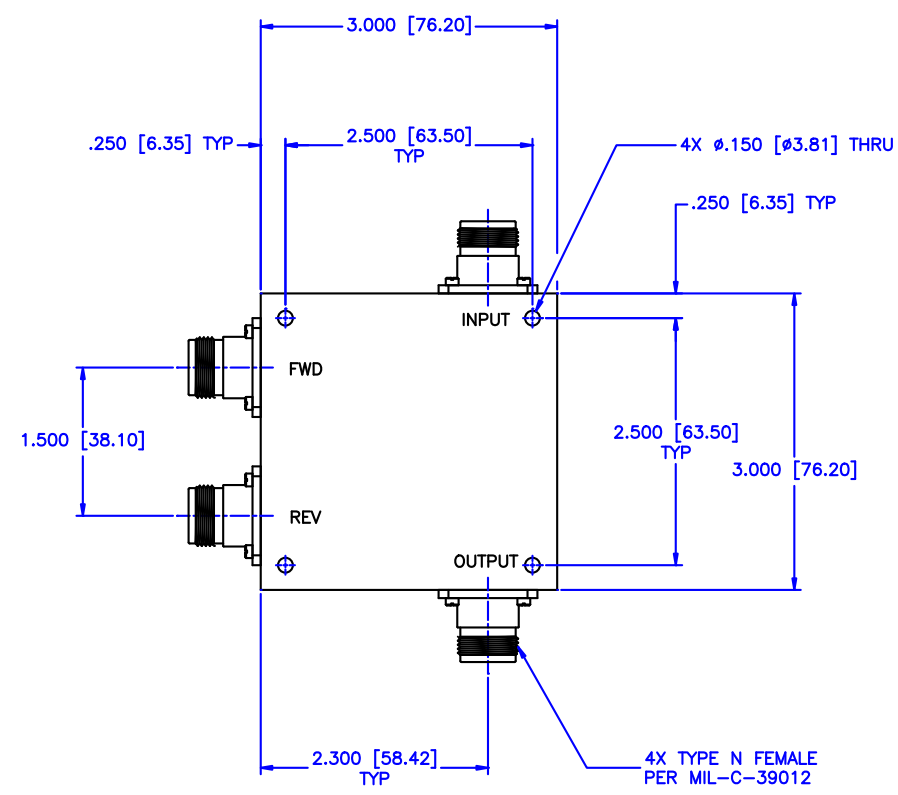
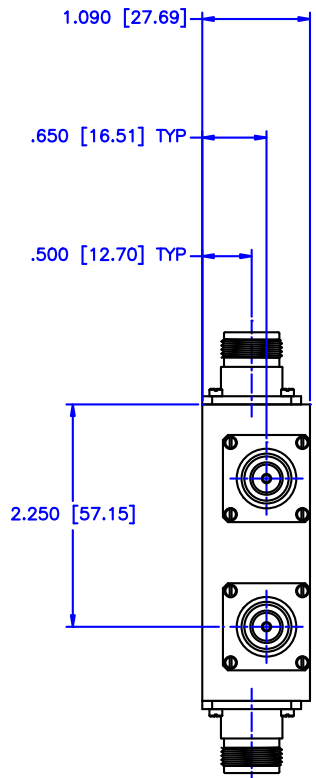


REVISIONS				
ZONE	REV	DESCRIPTION	DATE	APPROVED



SPECIFICATIONS

- FREQUENCY RANGE: 300 to 400 MHz
- COUPLING: 40dB ±1.0dB
- INSERTION LOSS: 0.20dB Max.
- DIRECTIVITY: 20dB Min.
- VSWR (ML): 1.10:1 Max.
- POWER HANDLING: 500 Watts CW
- POWER PEAK: 1500 Watts
- FLATNESS: ±0.25 dB Max.

MATERIAL:		MICROWAVE COMMUNICATIONS LABORATORIES INC. 7255 30TH AVE. N. SAINT PETERSBURG, FL 33710 TEL: (727) 344-6254 FAX: (727) 381-6116 http://WWW.MCLI.COM	SCALE: N/A
			SHEET: N/A
UNLESS OTHERWISE SPECIFIED: TOLERANCES IN (INCHES) OR [mm] (MILLIMETERS) FRACTIONS: ± 1/64 DECIMALS: ±.01 ±.005 ANGLE: ±1/2°		DRAWING TITLE: HIGH POWER DUAL DIRECTIONAL COUPLER	
DRAWN: Paiboon Luekhamhan		PART NO.: HDL-62-40	
DATE: 10-12-2011		CAGE CODE: OD2L5	
APPROVED: T. Nguyen		SIZE: C	REV: N/A
DATE: 10-12-2011		DWG NO.: 85910	
		DO NOT SCALE THE DRAWING	