

Microstrip Isolators

Part Number: KTMI-1502A1

Main Features:

- Frequency Range: 14GHz - 15GHz
- Small Size, Low Profile, Compact Design
- High Isolation, Low Insertion Loss
- Wide Operating Temperature : -55°C~+75°C
- Commercial, Military and Space Applications

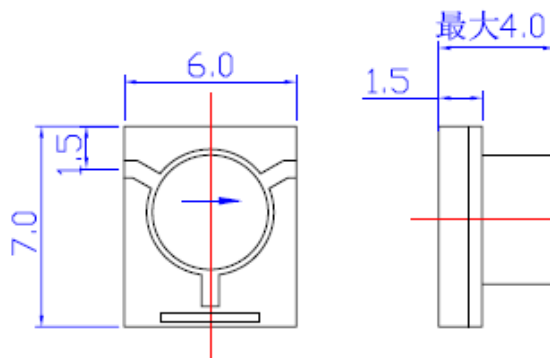
Electrical Specifications at Room Temperature:

Part Number	Freq. Range (GHz)	Bandwidth Max. (MHz)	Insertion Loss Max. (dB)	Isolation Min. (dB)	VSWR Max.	Forward Power (W)	Reverse Power (W)
KTMI-1502A1	14 - 15	full	0.5	20	1.25	2	1

Electrical Specifications at -40°C~+85°C Temperature:

Part Number	Freq. Range (GHz)	Bandwidth Max. (MHz)	Insertion Loss Max. (dB)	Isolation Min. (dB)	VSWR Max.	Forward Power (W)	Reverse Power (W)
KTMI-1502A1	14 - 15	full	0.6	18	1.35	2	1

Mechanical Dimensions (mm):



HOW TO ORDER

