



EUROPEAN ANTENNAS

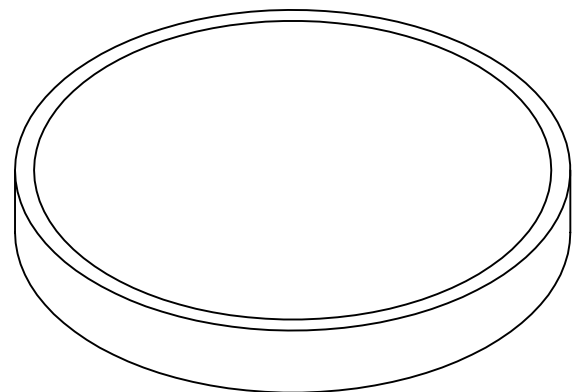
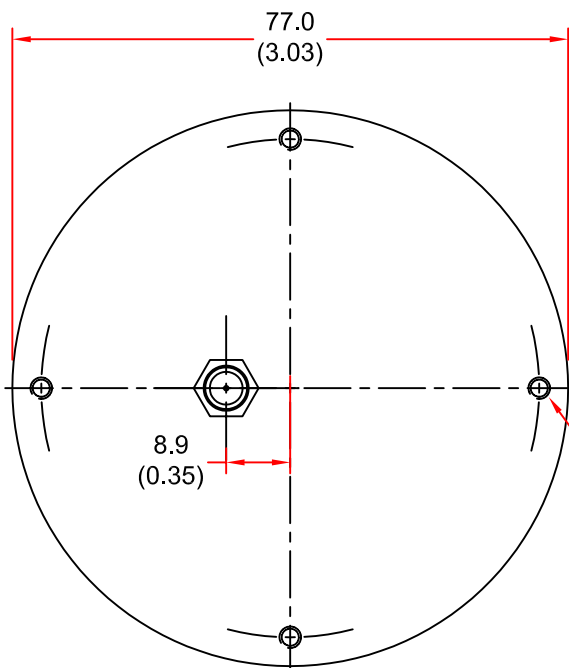
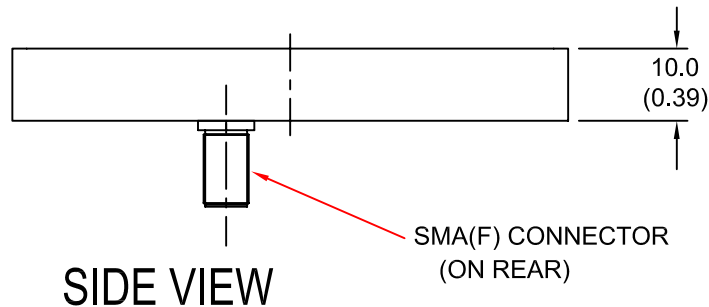
Excellence through design
Creative in concept



FLAT PANEL ANTENNA

MODEL: FPA13-86R/644

FREQUENCY:	8.5 - 8.65 GHz	GAIN:	13 dBiC
POLARISATION:	R.H. Circular	BEAMWIDTH:	35° (Azimuth) x 35° (Elevation)
AXIAL RATIO:	3 dB	VSWR:	1.5:1
POWER RATING:	20 W	FRONT TO BACK:	30 dB
TEMPERATURE:	-20°C to +50°C	MASS:	90 g/3.2 oz
RADOME:	Glass Fibre/Matt Black Finish	WIND LOADING:	0.75 Kg/1.6 lbs @ 100 mph



ISOMETRIC VIEW

MOUNTING VIA 4 x
M3 TAPPED HOLES ON A
69 (2.71) PCD

DIMENSIONS: mm (inches)

GA 644 - 1 Issued 010200

EUROPEAN ANTENNAS LTD.

TEL: +44 (0)1638 731888
FAX: +44 (0)1638 731999

LAMBDA HOUSE, CHEVELEY,
NEWMARKET, SUFFOLK, CB8 9RG,
UNITED KINGDOM.

E-Mail: sales@european-antennas.co.uk
Website: www.european-antennas.co.uk