

GENERAL SPECIFICATIONS:

NOMINAL IMPEDANCE 50 Ohms

CONNECTOR BODY: PASSIVATED STAINLESS STEEL

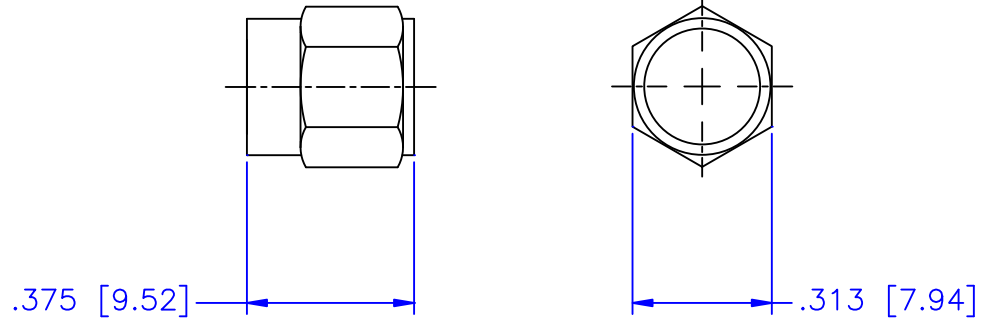
TEMPERATURE RATING -55°C to +150°C

CONNECTOR TYPE: SMA MALE PER MIL-C-39012

CONTACT PROBE: GOLD PLATE BERYLLIUM COPPER

REVISIONS				
ZONE	REV	DESCRIPTION	Date	APPROVED

FREQUENCY RANGE	VSWR	POWER	PEAK POWER
DC to 18 GHz	1.25:1	1 WATT	1 KW



MATERIAL:		MCLI MICROWAVE COMMUNICATIONS LABORATORIES INC. 7255 30TH AVE. N. SAINT PETERSBURG, FL 33710 TEL: (727) 344-6254 FAX: (727) 381-6116 http://www.MCLI.COM	SCALE:	N/A
			SHEET:	N/A
UNLESS OTHERWISE SPECIFIED: TOLERANCES IN (INCHES) OR [mm] (MILLIMETERS) FRACTIONS: ± 1/64 DECIMALS: ±.01 ±.005 ANGLE: ±1/2°		DRAWING TITLE:		
		SMA MALE TERMINATION		
DRAWN:		PART NO.		
Paiboon Luekhamhan		TSM-1S		
DATE:		GAGE CODE:		
10-12-2006		OD2L5		
APPROVED:		SIZE:	REV:	DWG NO.
T. Nguyen		N/A	N/A	82681
DATE:		DO NOT SCALE THE DRAWING		
10-12-2006				