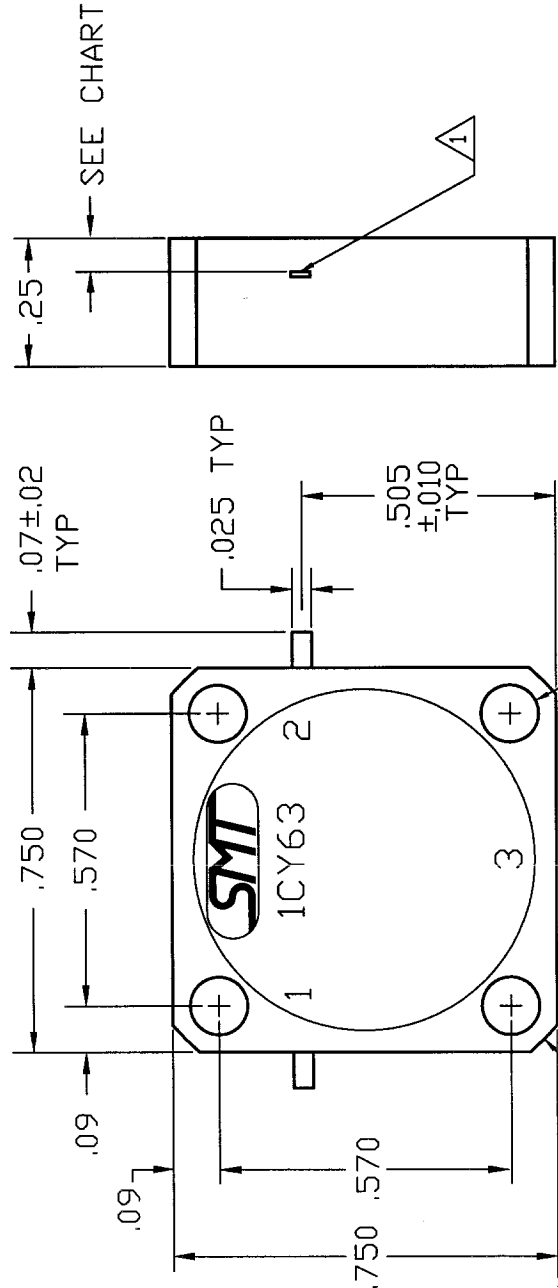


REVISIONS		
REV.	DESCRIPTION	DATE
NC	INITIAL RELEASE	
A	REV PER ECN 4417	
B	REV PER ECN 5515	



SPECIFICATIONS

1. FREQUENCY RANGE.....1.400 TO 1.600 GHz
2. VSWR.....1.25:1 MAX
3. ISOLATION.....20 dB MIN
4. INSERTION LOSS.....0.5 dB MAX
5. TEMPERATURE
 - OPERATING.....-54° TO +85°C
 - STORAGE.....-54° TO +85°C
6. LOAD RATING.....
 - 4 WATTS MIN.
 - Ø85°C HEATSINK TEMPERATURE

TAB HEIGHT CHART	
OPTION NO.	HEIGHT (NOM.)
A	.065
B	.075
C	.090
D	.100
E	.120

2. CASE: STAINLESS STEEL NICKEL PLATED.

1. TABS ARE .005±.001 THK. Be Cu, GOLD PLATED, OR SN63 TINNED.

NOTES:

QTY	FSCM RECD NO.	PART OR IDENTIFYING NO.	NOMENCLATURE OR DESCRIPTION	MATERIAL SPECIFICATION
PARTS LIST				
FRACTIONS DECIMALS ANGLES ± .XX± .01 ± .XXX± .005		DATE		
MATERIAL		APPROVALS		
FINISH		DRAWN		
NEXT ASSY		CHECKED		
USED DN		ISSUED		
APPLICATION		SCALE		
203-0042-001		SIERRA MICROWAVE TECHNOLOGY		
SDII416-X		OUTLINE FOR SDII416-X		
NEXT ASSY		SIZE FSCM NO. DWG. NO.		
		B 1CY63 205-0717-001		
		REV.		
		SHEET		