



Isolated Ground SMA Female to SMA Female
Bulkhead Adapter with Plastic Isolator

TECHNICAL DATA SHEET

PE9067

Isolated Ground SMA Female to SMA Female Bulkhead Adapter with Plastic Isolator

Configuration

Connector 1	SMA Female
Impedance 1	50 Ohms
Connector Specification 1	MIL-STD-348
Connector 2	SMA Female
Impedance 2	50 Ohms
Connector Specification 2	MIL-STD-348
Adapter Design	Standard
Body Style	Straight
Mount Method	Bulkhead
Isolated Ground / Hermetic	Isolated Ground

Mechanical Specifications

Size

Length, in [mm]	0.875 [22.23]
Width/Dia., in [mm]	0.44 [11.18]

Connector 1

Type	SMA Female
Inner Conductor Material and Plating	Beryllium Copper, Gold
Body Material and Plating	Brass, Nickel
Dielectric Type	PTFE

Connector 2

Type	SMA Female
Inner Conductor Material and Plating	Beryllium Copper, Gold
Body Material and Plating	Brass, Nickel

Compliance Certifications (visit www.Pasternack.com for current document)

RoHS Compliant	Yes
REACH Compliant	06/18/2012

Click the following link (or enter part number in "SEARCH" on website) to obtain additional part information including price, inventory and certifications: [Isolated Ground SMA Female to SMA Female Bulkhead Adapter with Plastic Isolator PE9067](#)

The information contained in this document is accurate to the best of our knowledge and representative of the part described herein. It may be necessary to make modifications to the part and/or the documentation of the part, in order to implement improvements. Pasternack reserves the right to make such changes as required. Unless otherwise stated, all specifications are nominal.





Isolated Ground SMA Female to SMA Female
Bulkhead Adapter with Plastic Isolator

TECHNICAL DATA SHEET

PE9067

Plotted and Other Data

Notes:

Values at 25 °C, sea level
Plastic Isolator included

Isolated Ground SMA Female to SMA Female Bulkhead Adapter with Plastic Isolator from Pasternack Enterprises has same day shipment for domestic and International orders. Our RF, microwave and fiber optic products maintain a 99% availability and are part of the broadest selection in the industry.

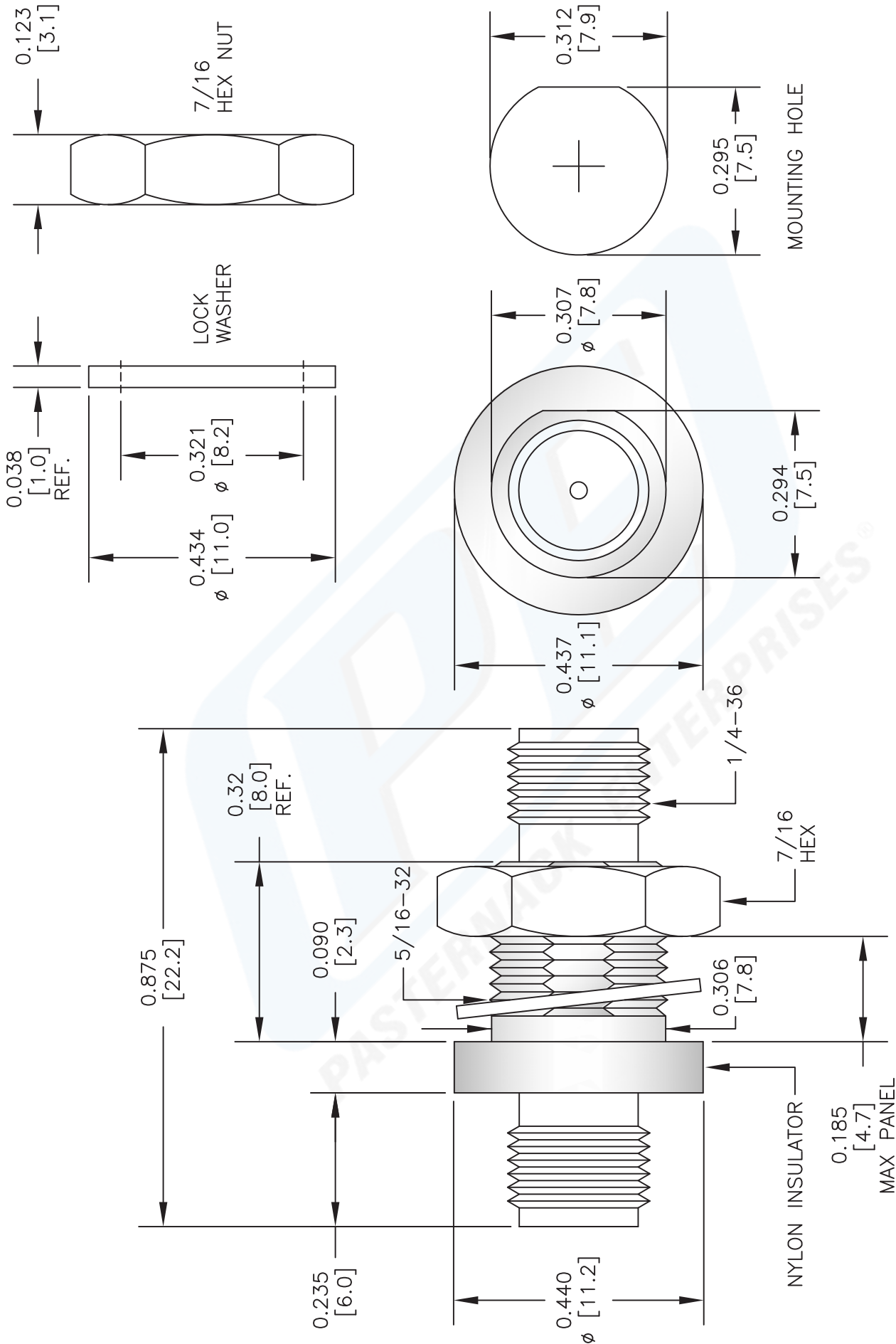
Click the following link (or enter part number in "SEARCH" on website) to obtain additional part information including price, inventory and certifications: [Isolated Ground SMA Female to SMA Female Bulkhead Adapter with Plastic Isolator PE9067](http://www.pasternack.com/sma-female-sma-female-straight-adapter-pe9067-p.aspx)

URL: <http://www.pasternack.com/sma-female-sma-female-straight-adapter-pe9067-p.aspx>

The information contained in this document is accurate to the best of our knowledge and representative of the part described herein. It may be necessary to make modifications to the part and/or the documentation of the part, in order to implement improvements. Pasternack reserves the right to make such changes as required. Unless otherwise stated, all specifications are nominal.

PE9067 CAD Drawing

Isolated Ground SMA Female to SMA Female Bulkhead Adapter with Plastic Isolator



DWG TITLE

PE9067

NOTES:
 1. UNLESS OTHERWISE SPECIFIED ALL DIMENSIONS ARE NOMINAL.
 2. ALL SPECIFICATIONS ARE SUBJECT TO CHANGE WITHOUT NOTICE AT ANY TIME.
 3. DIMENSIONS ARE IN INCHES [mm].

FSCM NO. 53919

CAD FILE 120413

SCALE N/A

SIZE A

2233

PE PASTERNAK®

Pasternack Enterprises, Inc.
 P.O. Box 16759 | Irvine | CA | 92623
 Phone: (949) 261-1920 | Fax: (949) 261-7451
 Website: www.pasternack.com | E-Mail: sales@pasternack.com