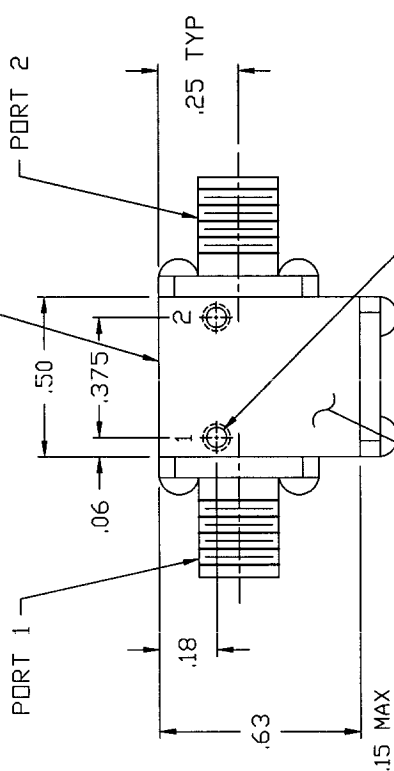


COMPUTER GENERATED DRAWING
MANUAL CHANGES NOT AUTHORIZED

REVISIONS

REV.	DESCRIPTION	DATE	RELEASED BY
NC	INITIAL RELEASE	3-15-91	I.R.
A	REV PER ECN: 5450	6-22-96	I.R.
B	REV PER ECN: 8303		

LABEL WITH
MODEL NO, AND SERIAL NO
THIS SURFACE

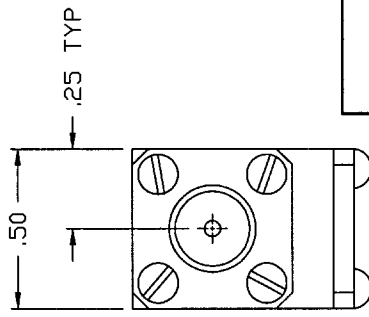


#2-56 UNC-2B
X .13 DP
BOTH SIDES (2X)

SMT LOGO LABEL
THIS SURFACE

SPECIFICATIONS:

1. FREQUENCY_____ 26.5 TO 40.0 GHZ
2. VSWR_____ 1.50:1 MAX
3. ISOLATION_____ 14 dB MIN
4. INSERTION LOSS_____ 1.0 dB MAX
5. TEMPERATURE:
OPERATING_____ -54° TO +85°C
STORAGE_____ -54° TO +85°C



CONNECTOR ORIENTATION			
DASH NO.	PORT 1	PORT 2	PORT 3
NONE	2.9mm FEMALE	2.9mm FEMALE	TERMINATED
-1	2.9mm MALE	2.9mm FEMALE	TERMINATED
-2	2.9mm FEMALE	2.9mm MALE	TERMINATED
-3	2.9mm MALE	2.9mm MALE	TERMINATED

*** NOTE: PART DRAWN IS SMI2640, NO DASH NO. ***

ITEM	QTY REQ'D	FSCM NO.	PART OR IDENTIFICATION NO.	NOMENCLATURE OR DESCRIPTION	MATERIAL SPECIFICATION
PARTS LIST					
UNLESS OTHERWISE SPECIFIED DIMENSIONS ARE IN INCHES		CONTRACT NO.			
FRACTIONS SHALL ANGLES		DRAWN: J. DARJES			
DECIMALS SHALL ANGLES		CHECKED: _____			
.XXX .02 &		DATE: 3-15-91			
.XXX.010		TOLERANCE:			
MATERIAL:		MATERIAL PROCESS:			
FINISH:		MATERIAL:			
DO NOT SCALE DRAWING		TITLE: SIERRA MICROWAVE TECHNOLOGY OUTLINE FOR SMI2640-X			
APPLICATION		SIZE: B			
LIST OF MAT'L USED ON		FSCM NO. ICY63			
204-0441-001 SMI2640-3		DWG NO. 205-0852-001			
204-0260-001 SMI2640-1&2		REV B			
204-0156-001 SMI2640		SHEET OF			