

Precision Reverse Polarity TNC Male to Reverse Polarity  
 TNC Female Right Angle Adapter


## TECHNICAL DATA SHEET

PE9918

**Precision Reverse Polarity TNC Male to Reverse Polarity TNC Female Right Angle Adapter**
**Configuration**

Connector 1	TNC Male Reverse Polarity
Impedance 1	50 Ohms
Connector 2	TNC Female Reverse Polarity
Impedance 2	50 Ohms
Adapter Design	Precision
Body Style	Right Angle

**Electrical Specifications**

Frequency Range, GHz	DC to 11
Maximum Operating Voltage, Volts	500
Dielectric Withstanding Voltage, Vrms	1,500

**Frequency 1**

Frequency, GHz	DC to 6
VSWR	1.25:1

**Mechanical Specifications**
**Temperature**

Operating Range, deg C	-65 to +165
------------------------	-------------

**Size**

Length, in [mm]	0.965 [24.51]
Width/Dia., in [mm]	1.051 [26.7]
Height, in [mm]	0.59 [14.99]

**Connector 1**

Type	TNC Male Reverse Polarity
Inner Conductor Material and Plating	Brass, Gold
Inner Conductor Plating Specification	30µ in. minimum
Coupling Nut Material and Plating	Brass, Nickel
Coupling Nut Plating Specification	100µ in. minimum
Body Material and Plating	Brass, Nickel
Body Plating Specification	100µ in. minimum
Dielectric Type	Teflon

**Connector 2**

Type	TNC Female Reverse Polarity
Inner Conductor Material and Plating	Brass, Gold
Inner Conductor Plating Specification	30µ in. minimum
Body Material and Plating	Brass, Nickel
Body Plating Specification	100µ in. minimum

Click the following link (or enter part number in "SEARCH" on website) to obtain additional part information including price, inventory and certifications: [Precision Reverse Polarity TNC Male to Reverse Polarity TNC Female Right Angle Adapter PE9918](#)

The information contained in this document is accurate to the best of our knowledge and representative of the part described herein. It may be necessary to make modifications to the part and/or the documentation of the part, in order to implement improvements. Pasternack reserves the right to make such changes as required. Unless otherwise stated, all specifications are nominal.



Precision Reverse Polarity TNC Male to Reverse  
Polarity TNC Female Right Angle Adapter

TECHNICAL DATA SHEET

PE9918

Dielectric Type

Teflon

**Compliance Certifications** (visit [www.Pasternack.com](http://www.Pasternack.com) for current document)

**Plotted and Other Data**

Notes:

Values at 25 °C, sea level

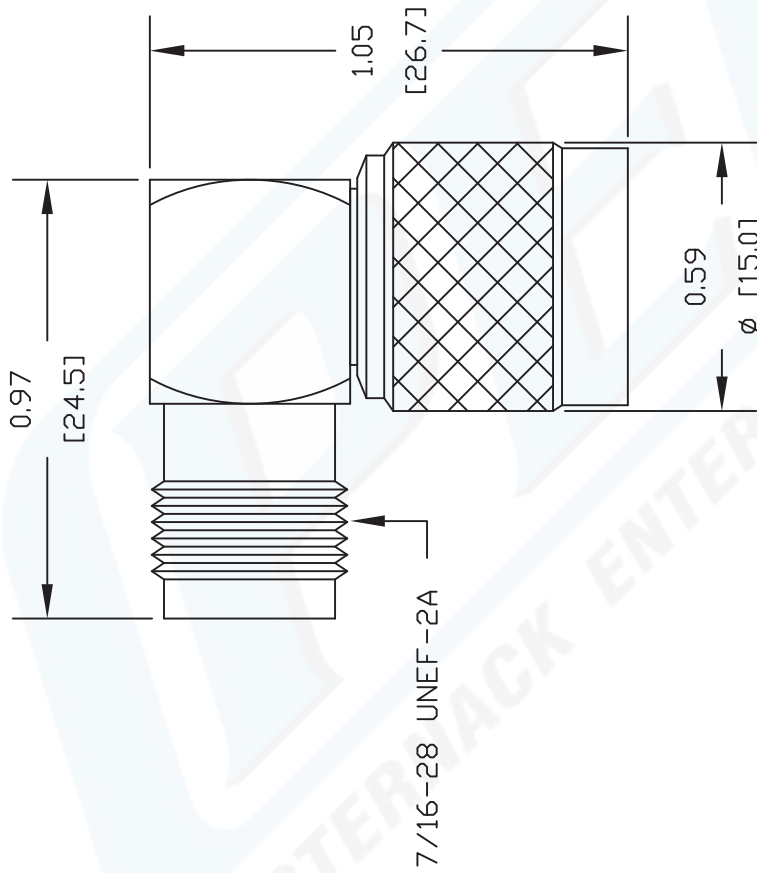
URL: <http://www.pasternack.com/tnc-male-tnc-female-right-angle-adapter-pe9918-p.aspx>

Precision Reverse Polarity TNC Male to Reverse Polarity TNC Female Right Angle Adapter from Pasternack Enterprises has same day shipment for domestic and International orders. Our RF, microwave and fiber optic products maintain a 99% availability and are part of the broadest selection in the industry.

The information contained in this document is accurate to the best of our knowledge and representative of the part described herein. It may be necessary to make modifications to the part and/or the documentation of the part, in order to implement improvements. Pasternack reserves the right to make such changes as required. Unless otherwise stated, all specifications are nominal.

# PE9918 CAD Drawing

Precision Reverse Polarity TNC Male to Reverse Polarity TNC Female Right Angle Adapter



DWG TITLE

**PE9918**

- NOTES:
1. UNLESS OTHERWISE SPECIFIED ALL DIMENSIONS ARE NOMINAL.
  2. ALL SPECIFICATIONS ARE SUBJECT TO CHANGE WITHOUT NOTICE AT ANY TIME.
  3. DIMENSIONS ARE IN INCHES [mm].

**PASTERBACK ENTERPRISES, INC.**  
 P.O. BOX 16759, IRVINE, CA 92623  
 PHONE (949) 261-1920 FAX (949) 261-7451  
 WEB ADDRESS: [www.pasternack.com](http://www.pasternack.com)  
 E-MAIL ADDRESS: [sales@pasternack.com](mailto:sales@pasternack.com)

**COAXIAL & FIBER OPTICS**



127

SIZE A

SCALE N/A

CAD FILE 011608

FSCM NO. 53919