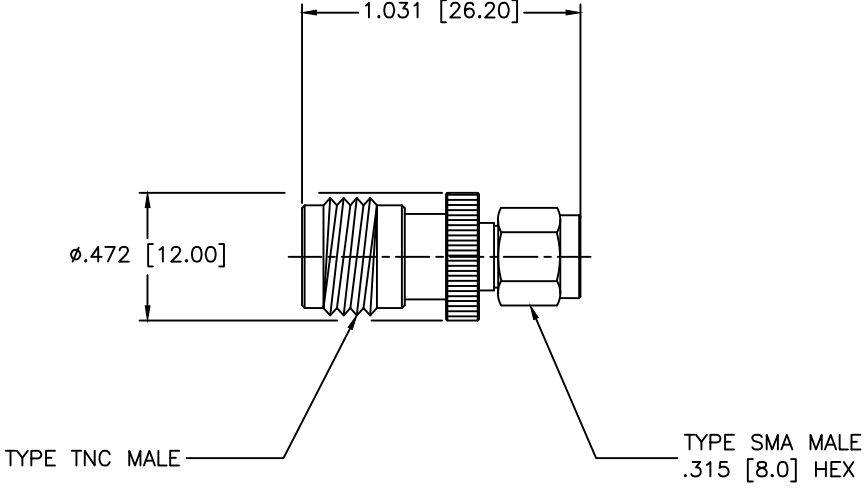


REVISIONS				
ZONE	REV	DESCRIPTION	Date	APPROVED



MATERIAL:			MICROWAVE COMMUNICATIONS LABORATORIES INC. 7255 30TH AVE. N. SAINT PETERSBURG, FL 33710 TEL: (727) 344-6254 FAX: (727) 381-6116 http://WWW.MCLI.COM		SCALE: N/A
			UNLESS OTHERWISE SPECIFIED: TOLERANCES IN (INCHES) OR [mm] (MILLIMETERS) FRACTIONS: ± 1/64 DECIMALS: ± .02 ± .015 ANGLE: ± 1/2°	DRAWING TITLE: TNC JACK TO SMA PLUG ADAPTER	
DRAWN: Paiboon Luekhamhan		DATE: 02-12-2010	PART NO. ADZ-11-FM		
APPROVED: T. Nguyen		DATE: 02-12-2010	CAGE CODE: OD2L5	SIZE: N/A	REV: N/A
		PROPRIETARY NOTICE: THE INFORMATION IN THIS DRAWING IS PROPRIETARY AND SHALL NOT BE USED OR DISCLOSED WITHOUT WRITTEN PERMISSION FROM MICROWAVE COMMUNICATIONS LABORATORIES INC. (MCLI)	THIRD ANGLE PROJECTION 		DWG NO. 84702
			DO NOT SCALE THE DRAWING		