

1.0 PERFORMANCE

- 1.1 VOLTAGE RATING: 1,000 Vrms
- 1.2 NOMINAL IMPEDANCE: 50 OHM
- 1.3 DWV: 2,500 Vrms, 60 Hz (sea level)
- 1.4 TEMPERATURE RANGE: -65 TO +165°C

2.0 MATERIALS

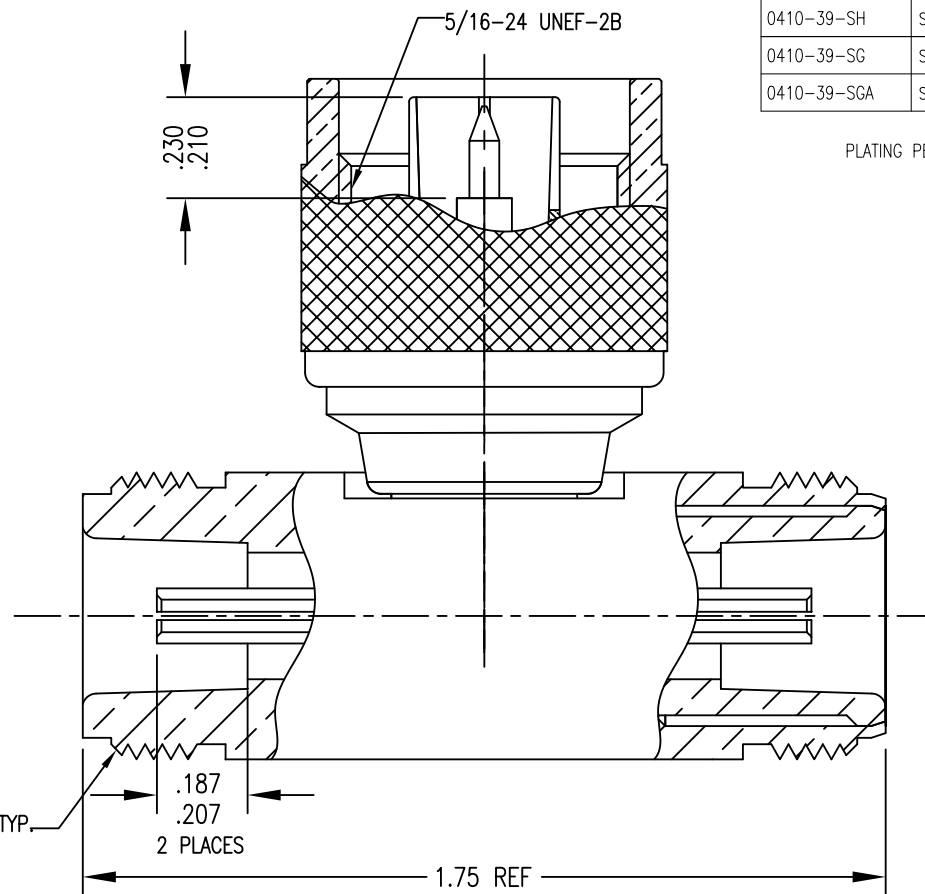
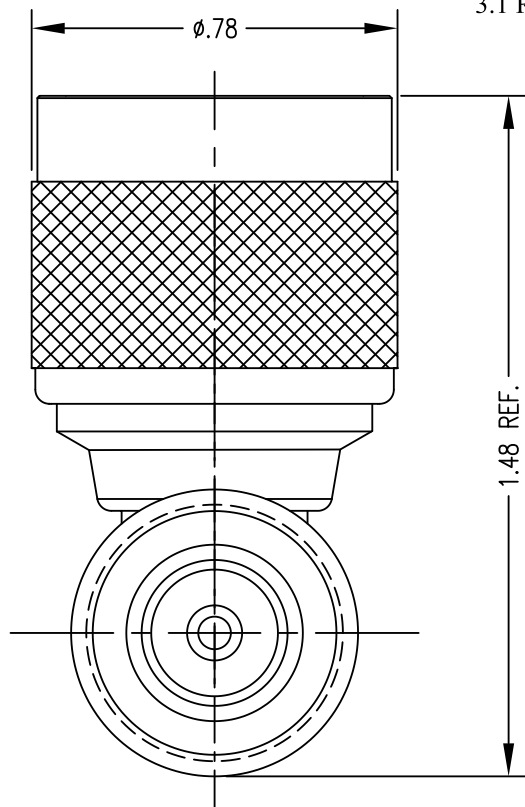
- 2.1 DIELECTRIC: PTFE
- 2.2 CENTER CONTACTS: BeCu & BRASS
- 2.3 RETAINING RING: PHOSPHOR BRONZE
- 2.4 ALL OTHER METAL PARTS: BRASS
- 3.0 FINISH: SEE TABLE
- 3.1 RoHS CERTIFIED

4.0 MECHANICAL

- 4.1 INTERFACES PER MIL-STD-348
- 4.2 DURABILITY 500 CYCLES

DWG NO.	OL-0410-39-1			REV.	C
PART NUMBER	BODY	CONTACT	COUPLING	NUT	
0410-39-AG	ALBALOY	GOLD/Cu	ALBALOY		
0410-39-AF	ALBALOY	GOLD/A	ALBALOY		
0410-39-NS	NICKEL	SILVER	NICKEL		
0410-39-SS	SILVER	SILVER	SILVER		
0410-39-NH	NICKEL	GOLD/Ni	NICKEL		
0410-39-SH	SILVER	GOLD/Ni	SILVER		
0410-39-SG	SILVER	GOLD/Cu	SILVER		
0410-39-SGA	SILVER	GOLD/Cu	ALBALOY		

PLATING PER SAN-TRON SPEC. 7.3.1-8



5/8-24 UNEF-2A TYP.  
2 PLACES

DO NOT SCALE DRAWING

Rev.	Revisions	Disp.	Date	Dwn.	Appd.
C	ADD PLATING OPTIONS -AF	NEW	6/24/08	FSH	FSH
B	ADD PLATING OPTIONS -AG, -SG, & -SGA	NEW	3/19/07	FSH	FSH
A	ORIGINAL	NEW	7/21/06		
Ref.:	SK	REMOVE ALL BURRS AND SHARP EDGES .005 MAX.	INTERPRET PER ASME Y14.5M-1994		

THIS DRAWING CONTAINS CONFIDENTIAL INFORMATION PROPRIETARY TO SAN-TRON INC. IT MUST NOT BE REPRODUCED OR DISCLOSED TO OTHERS OR USED IN ANY OTHER WAY, IN WHOLE OR PART EXCEPT AS AUTHORIZED IN WRITING BY SAN-TRON INCORPORATED.

UNLESS OTHERWISE SPECIFIED:  
ALL DIMENSIONS ARE IN INCHES.  
ALL DIMENSIONS ARE AFTER PLATING.  
.XXX = ±.005 ALL MACHINED SURFACES  $\sqrt{63}$  MAX.  
.XX = ±.01 ANG. ±1/2° FRACTIONAL = ±1/64  
◎ .004 MAX. TIR

THIRD ANGLE PROJECTION

DWN	DVP	7/21/06
CHKD	SJS	7/26/06
APPR	FSH	7/26/06



**SAN-TRON, INC.**  
4 NEWBURYPORT TPK. IPSWICH MA USA 01938  
TEL: 978 - 356 -1585 FAX: 978 - 356 -1573  
WWW.santron.com E MAIL: santron@santron.com

TITLE: ADAPTER, TYPE N TEE

MATERIAL: SEE NOTE 2 FINISH: SEE TABLE- ALLOW FOR .0002/.0004 PLATING

CAGE CODE: 50896 DWG NO. OL-0410-39-1

SCALE: X:X