



50 Ohm N Circulator Operating From 7 GHz to 12.4 GHz And 10 Watts With 20 dB Isolation

TECHNICAL DATA SHEET

PE8413

Configuration

Connector 1	N Female
Connector 2	N Female
Connector 3	N Female
Frequency Range	7 GHz to 12.4 GHz
Design	Circulator

Electrical Specifications (Values at 25°C, sea level)

Description	Minimum	Typical	Maximum	Units
Frequency Range	7		12.4	GHz
Impedance		50		Ohms
Insertion Loss			0.6	dB
Forward Power			10	Watts
Reverse Power			10	Watts
Input VSWR			1.25:1	
Isolation	20			dB

Mechanical Specifications

Size

Length	2.33 in [59.18 mm]
Width	0.75 in [19.05 mm]
Height	1.74 in [44.2 mm]

Compliance Certifications (visit www.Pasternack.com for current document)

RoHS Compliant	Yes
REACH Compliant	06/20/2011

Plotted and Other Data

Notes:

- Values at 25 °C, sea level

Click the following link (or enter part number in "SEARCH" on website) to obtain additional part information including price, inventory and certifications: [50 Ohm N Circulator Operating From 7 GHz to 12.4 GHz And 10 Watts With 20 dB Isolation PE8413](#)

The information contained in this document is accurate to the best of our knowledge and representative of the part described herein. It may be necessary to make modifications to the part and/or the documentation of the part, in order to implement improvements. Pasternack reserves the right to make such changes as required. Unless otherwise stated, all specifications are nominal.

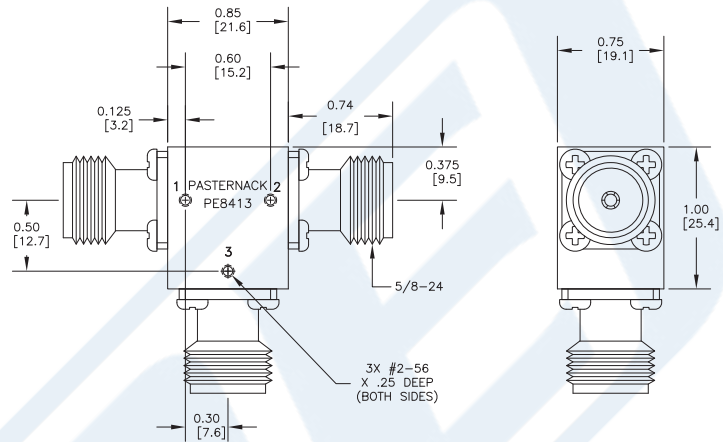


50 Ohm N Circulator Operating From 7 GHz to 12.4 GHz And 10 Watts With 20 dB Isolation

TECHNICAL DATA SHEET

PE8413

Outline Drawing



50 Ohm N Circulator Operating From 7 GHz to 12.4 GHz And 10 Watts With 20 dB Isolation from Pasternack Enterprises has same day shipment for domestic and International orders. Our RF, microwave and fiber optic products maintain a 99% availability and are part of the broadest selection in the industry.

Click the following link (or enter part number in "SEARCH" on website) to obtain additional part information including price, inventory and certifications: [50 Ohm N Circulator Operating From 7 GHz to 12.4 GHz And 10 Watts With 20 dB Isolation PE8413](http://www.pasternack.com/n-female-circulator-7-124-ghz-10w-p.aspx)

URL: <http://www.pasternack.com/n-female-circulator-7-124-ghz-10w-p.aspx>

The information contained in this document is accurate to the best of our knowledge and representative of the part described herein. It may be necessary to make modifications to the part and/or the documentation of the part, in order to implement improvements. Pasternack reserves the right to make such changes as required. Unless otherwise stated, all specifications are nominal.

