

**OUTPUT A (J2)****Frequency**

100 MHz

**Level**

+13 dBm ±2 dB into 50 ohms

**Phase Noise L(f), Static**

100 Hz -130 dBc/Hz

1 kHz -158 dBc/Hz

10 kHz -176 dBc/Hz

100 kHz -176 dBc/Hz

**OUTPUT B (J1)****Frequency**

500 MHz

**Level**

+13 dBm ±2 dB into 50 ohms

**Phase Noise L(f), Static**

100 Hz -114 dBc/Hz

1 kHz -142 dBc/Hz

10 kHz -159 dBc/Hz

100 kHz -160 dBc/Hz

**STABILITY****Aging**1 x 10<sup>-6</sup> first year

after 30 days operating, typical

5 x 10<sup>-7</sup> second year, typical3 x 10<sup>-7</sup> per year thereafter, typical**Temperature Stability**±5 x 10<sup>-7</sup>, 0° to +50°C (Ref +25°C)**Harmonics**

≤ -25 dBc

**Sub-Harmonics**

≤ -50 dBc

**Non-Harmonic Spurious**

≤ -80 dBc, excluding power supply line related spurs

**MECHANICAL****Dimensions**

2" x 2" x 1.3"

**Connectors**

SMA(f) and solder pins on one side

**Packaging**

Nickel-plated machined aluminum housing (CVP-2A)

**Mounting**Threaded inserts, # 2-56, 4 places  
Tapped holes on sides, 16 places  
(provisions for shock mounts)**POWER REQUIREMENTS****Warm-Up Power**

≤ 9 Watts for 5 minutes at +25°C

**Total Power**

≤ 6 Watts at +25°C

**Supply Voltage**

+15 VDC ±5%

**ADJUSTMENT****Mechanical Tuning**±4 x 10<sup>-6</sup>**Electrical Tuning**±5 x 10<sup>-7</sup> min, ±5 VDC

Negative slope

**CRYSTAL****Type**

100 MHz SC-cut (x5)

**OTHER****Label**Use conventional label with the following information:  
501-25998 (Current Rev.)  
100/500 MHz Citrine  
+15 VDC  
Serial # - Date Code  
(Mark connectors with function)**Test Data**

Output Level

Phase Noise – Static

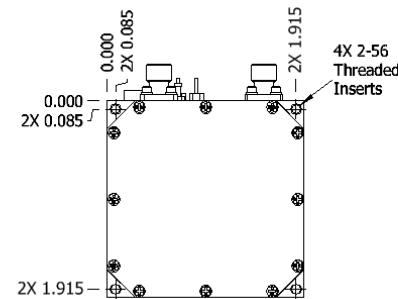
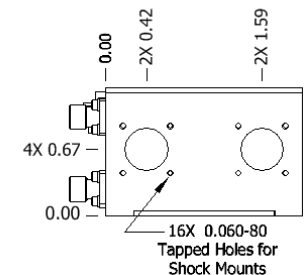
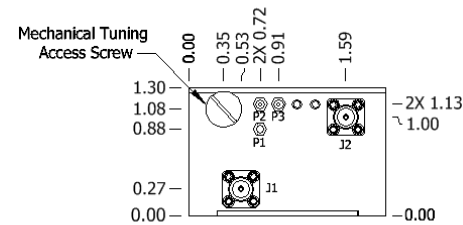
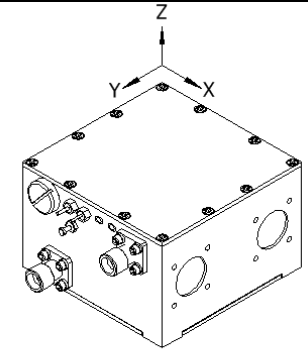
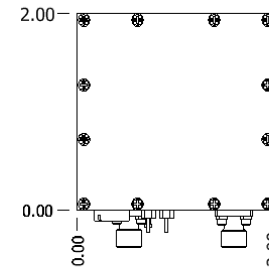
Temperature Stability

Harmonics, Subs, Spurious

Power - Warm-up and Total

Tuning – MT and ET

REV	DATE	REVISION RECORD	DWN	AUTH
-	06-11-12	Initial Release	PAC	



CVP-2A	
Connector	Function
P1	Ground, Case
P2	Supply Voltage
P3	Electrical Tuning
J1	RF Output B
J2	RF Output A

Connector numbers are for reference only and will not be marked on unit.

**Wenzel Associates, Inc.**

Austin, Texas

Title:

**Premium 100/500 MHz Citrine Plus Crystal Oscillator**

P/N:

**501-25998**

Rev:

-

Date:

**06-11-12**

Drawn:

Ref:

ULN

Tolerances:  
(except as noted)  
Dimensions are in inches

0.XX Dec:

±0.030"

0.XXX Dec:

±0.010"

FSCM:

62821

Page 1 of 1