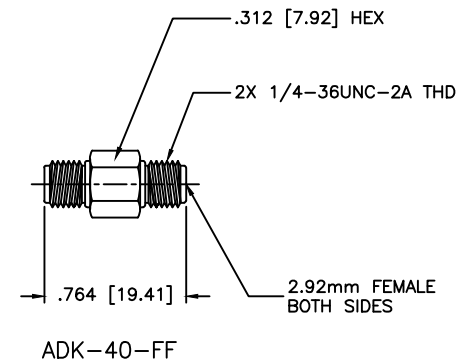
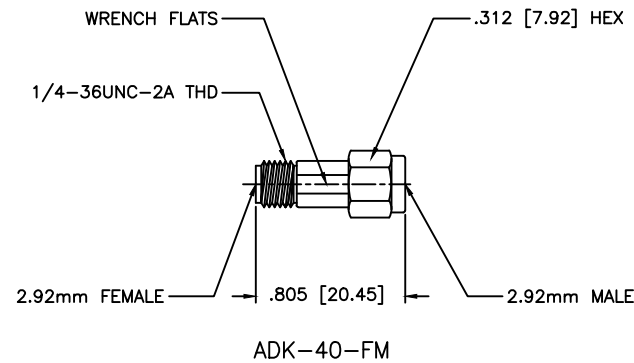
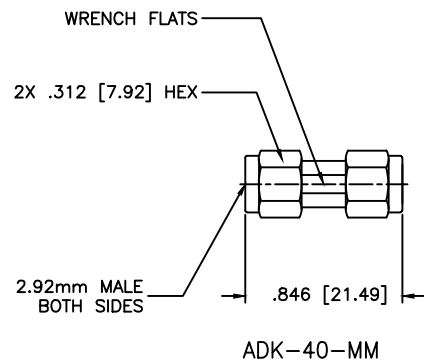


REVISIONS				
ZONE	REV	DESCRIPTION	DATE	APPROVED



General Specifications

- Impedance: 50 Ohms
- VSWR: 1.10:1 Max. @ 27GHz
- VSWR: 1.15:1 Max. @ 40GHz
- Frequency: DC-40 GHz
- Connectors: Passivated Stainless Steel
- Contacts: Beryllium Copper Gold Plated
- Insulator: Teflon
- Temperature Rating: -55°C to +135°C

MATERIAL:			MICROWAVE COMMUNICATIONS LABORATORIES INC. 7255 30TH AVE. N. SAINT PETERSBURG, FL 33710 TEL: (727) 344-6254 FAX: (727) 381-6116 http://WWW.MCLI.COM		SCALE: N/A
			UNLESS OTHERWISE SPECIFIED: TOLERANCES IN (INCHES) OR [mm] (MILLIMETERS) FRACTIONS: ± 1/64 DECIMALS: ±.01 ±.005 ANGLE: ±1/2°		SHEET: N/A
DRAWN: Paiboon Luengkhamhan		DATE: 08-29-2011		DRAWING TITLE: 2.92mm SERIES ADAPTERS	
APPROVED: T. Nguyen		DATE: 08-29-2011		PART NO. ADK-40	
		PROPRIETARY NOTICE: THE INFORMATION IN THIS DRAWING IS PROPRIETARY AND SHALL NOT BE USED OR DISCLOSED WITHOUT WRITTEN PERMISSION FROM MICROWAVE COMMUNICATIONS LABORATORIES INC. (MCLI)		CAGE CODE: OD2L5	SIZE: A REV: N/A DWG NO. 85874
		THIRD ANGLE PROJECTION 		DO NOT SCALE THE DRAWING	