



EUROPEAN ANTENNAS

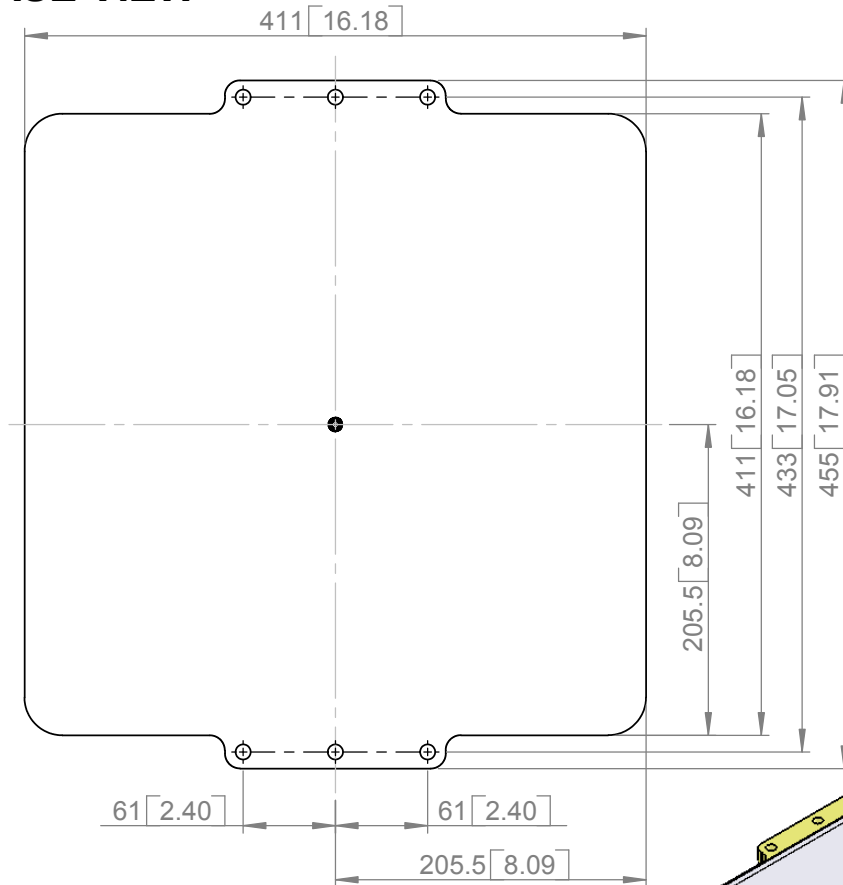
Excellence through design
Creative in concept

FLAT PANEL ANTENNA

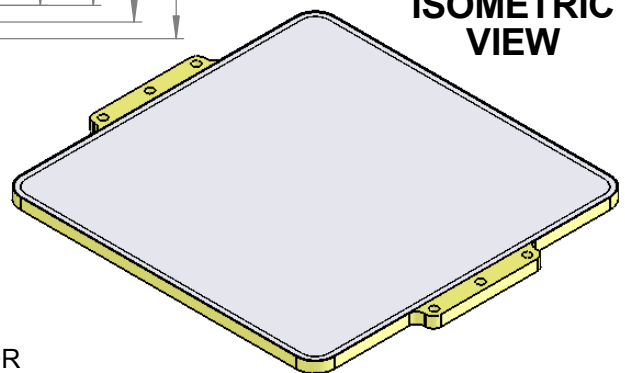
MODEL: FPA28-127V/1270

FREQUENCY:	12.0 - 13.5 GHz	GAIN:	28.8 dBi Nominal
POLARISATION:	Linear (Vertical)	BEAMWIDTH:	3.2° (Az) x 3.2° (El) Approx
CROSS POLAR:	>20 dB Typical	VSWR:	<2:1
POWER RATING:	10 W	FRONT TO BACK:	>50 dB
TEMPERATURE:	-40° to +60°C	MASS:	2.5 Kg / 5.5 lbs
FINISH:	Gloss White Radome, Alcrom 1200	WIND LOADING:	30.3 Kg / 66.7 lbs @ 100 mph

BASE VIEW



ISOMETRIC VIEW



SIDE VIEW

SMA(F) CONNECTOR

GA: 1270-1 Issued: 090206 DIMENSIONS: mm (inches) L

EUROPEAN ANTENNAS LTD.
LAMBDA HOUSE, CHEVELEY
NEWMARKET, SUFFOLK, CB8 9RG,
UNITED KINGDOM



Certificate No 9268

Tel: +44 (0)1638 731888
Fax: +44 (0)1638 731999
E-Mail: sales@european-antennas.co.uk
Website: www.european-antennas.co.uk