



50 Ohm SMA SP4T PIN Diode Switch Operating  
From 4 GHz to 8 GHz Up To +30 dBm

TECHNICAL DATA SHEET

PE7129

**50 Ohm SMA SP4T PIN Diode Switch Operating From 4 GHz to 8 GHz Up To +30 dBm**

**Configuration**

RF Connector	SMA Female
RF Connector Specification	MIL-C-39012
Control Connector	Solder Pin
Design	Absorptive, SP4T

**Electrical Specifications**

Frequency Range, GHz	4 to 8
Impedance, Ohms	50
Maximum Input Power, dBm	+30
Maximum Input VSWR	1.6:1
Maximum Insertion Loss, dB	2.2
Minimum Isolation, dB	75
Maximum Speed, ns	100
Power Supply 1, Volts	5
Power Supply 2, Volts	-15
Power Supply 2 Tolerance, Volts	3

**Mechanical Specifications**

**Temperature**

Operating Range, deg C	-55 to +85
Storage Range, deg C	-65 to +125

**Size**

Length, in [mm]	2.26 [57.4]
Width, in [mm]	0.6 [15.24]

**Compliance Certifications** (visit [www.Pasternack.com](http://www.Pasternack.com) for current document)

RoHS Compliant	Yes
----------------	-----

Click the following link (or enter part number in "SEARCH" on website) to obtain additional part information including price, inventory and certifications: [50 Ohm SMA SP4T PIN Diode Switch Operating From 4 GHz to 8 GHz Up To +30 dBm PE7129](#)

The information contained in this document is accurate to the best of our knowledge and representative of the part described herein. It may be necessary to make modifications to the part and/or the documentation of the part, in order to implement improvements. Pasternack reserves the right to make such changes as required. Unless otherwise stated, all specifications are nominal.





50 Ohm SMA SP4T PIN Diode Switch Operating  
From 4 GHz to 8 GHz Up To +30 dBm

TECHNICAL DATA SHEET

PE7129

**Plotted and Other Data**

Notes:

Values at 25 °C, sea level

50 Ohm SMA SP4T PIN Diode Switch Operating From 4 GHz to 8 GHz Up To +30 dBm from Pasternack Enterprises has same day shipment for domestic and International orders. Our RF, microwave and fiber optic products maintain a 99% availability and are part of the broadest selection in the industry.

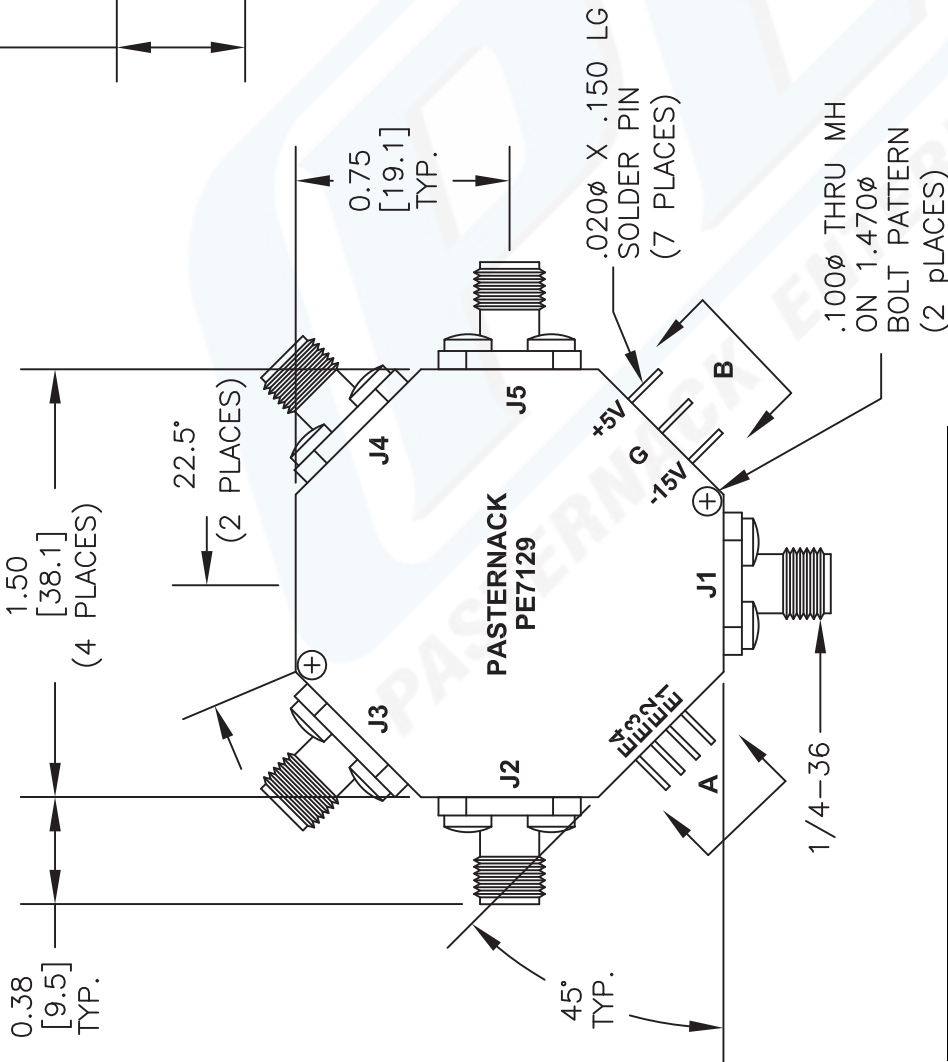
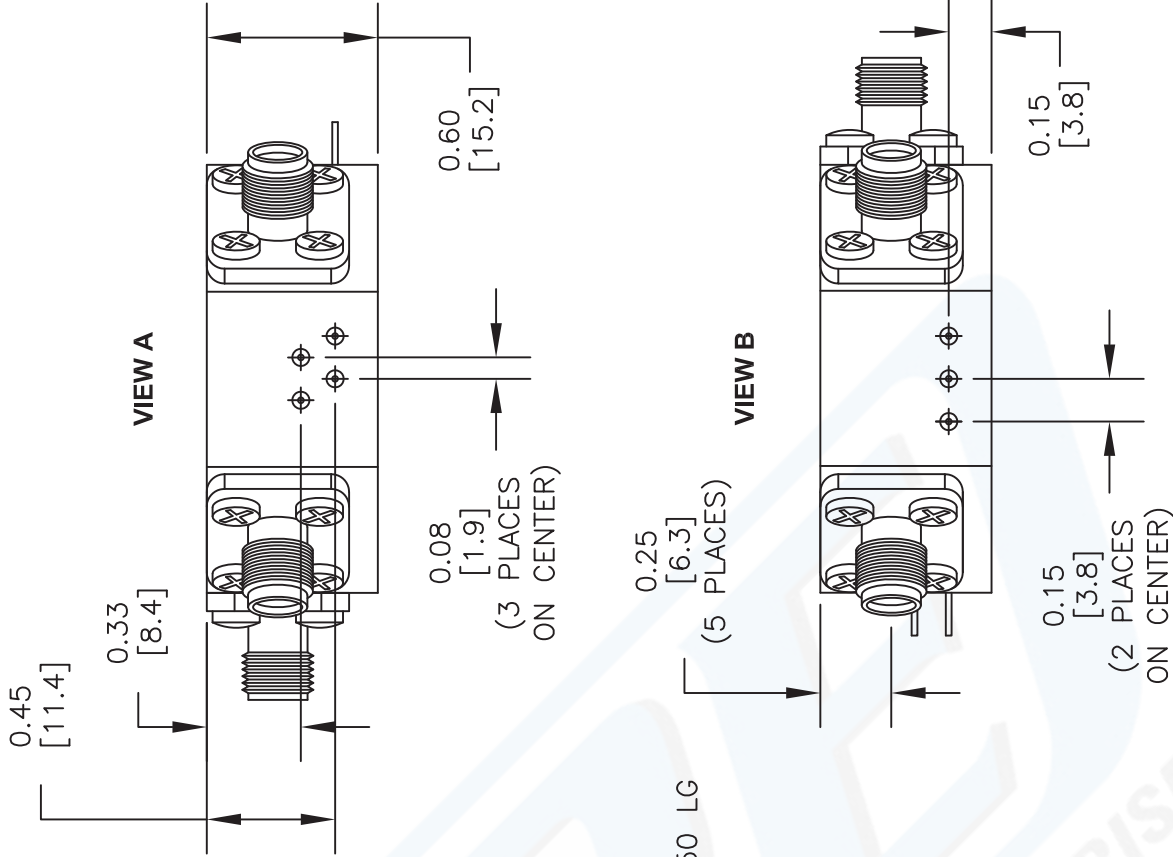
Click the following link (or enter part number in "SEARCH" on website) to obtain additional part information including price, inventory and certifications: 50 Ohm SMA SP4T PIN Diode Switch Operating From 4 GHz to 8 GHz Up To +30 dBm PE7129

URL: <http://www.pasternack.com/sma-female-coaxial-switch-pe7129-p.aspx>

The information contained in this document is accurate to the best of our knowledge and representative of the part described herein. It may be necessary to make modifications to the part and/or the documentation of the part, in order to implement improvements. Pasternack reserves the right to make such changes as required. Unless otherwise stated, all specifications are nominal.

# PE7129 CAD Drawing

50 Ohm SMA SP4T PIN Diode Switch Operating From 4 GHz to 8 GHz Up To +30 dBm



Note:

0 = Low Loss
1 = Isolation

TTL Logic Table

E1	E2	E3	E4	Low Loss
0	1	1	1	J1-J2
1	0	1	1	J1-J3
1	1	0	1	J1-J4
1	1	1	0	J1-J5

NOTES:  
1. UNLESS OTHERWISE SPECIFIED ALL DIMENSIONS ARE NOMINAL.  
2. ALL SPECIFICATIONS ARE SUBJECT TO CHANGE WITHOUT NOTICE AT ANY TIME.  
3. DIMENSIONS ARE IN INCHES [mm].

DWG TITLE  
**PE7129**  
FSCM NO. 53919  
CAD FILE 040213-B  
SCALE N/A  
SIZE A  
2233

**PASTERNAK**  
Pasternack Enterprises, Inc.  
P.O. Box 16759 | Irvine | CA | 92623  
Phone: (949) 261-1920 | Fax: (949) 261-7451  
Website: www.pasternack.com | E-Mail: sales@pasternack.com