



## WR-28 Standard Gain Horn Antenna Operates From 26.5 GHz to 40 GHz With a Nominal 20 dB Gain WR-28 Input

### TECHNICAL DATA SHEET

PE9850-20

#### WR-28 Standard Gain Horn Antenna Operates From 26.5 GHz to 40 GHz With a Nominal 20 dB Gain WR-28 Input

##### Configuration

Design	WR-28 Standard Gain Horn
Frequency Range, GHz	26.5 to 40
Polarization	Linear
Interface 1	WR-28

##### Electrical Specifications

Nominal Gain, dB	20
------------------	----

##### Mechanical Specifications

###### Size

Length, in [mm]	3.125 [79.38]
Width, in [mm]	1.45 [36.83]
Height, in [mm]	1.095 [27.81]
Weight, lbs [g]	0.13 [58.97]

##### Compliance Certifications (visit [www.Pasternack.com](http://www.Pasternack.com) for current document)

##### Plotted and Other Data

2 Dimensional OML Drawing	PE9850-20
Notes:	Values at 25 °C, sea level

WR-28 Standard Gain Horn Antenna Operates From 26.5 GHz to 40 GHz With a Nominal 20 dB Gain WR-28 Input from Pasternack Enterprises has same day shipment for domestic and International orders. Our RF, microwave and fiber optic products maintain a 99% availability and are part of the broadest selection in the industry.

Click the following link (or enter part number in "SEARCH" on website) to obtain additional part information including price, inventory and certifications: [WR-28 Standard Gain Horn Antenna Operates From 26.5 GHz to 40 GHz With a Nominal 20 dB Gain WR-28 Input PE9850-20](http://www.pasternack.com/standard-gain-horn-waveguide-size-wr28-pe9850-20-p.aspx)

URL: <http://www.pasternack.com/standard-gain-horn-waveguide-size-wr28-pe9850-20-p.aspx>

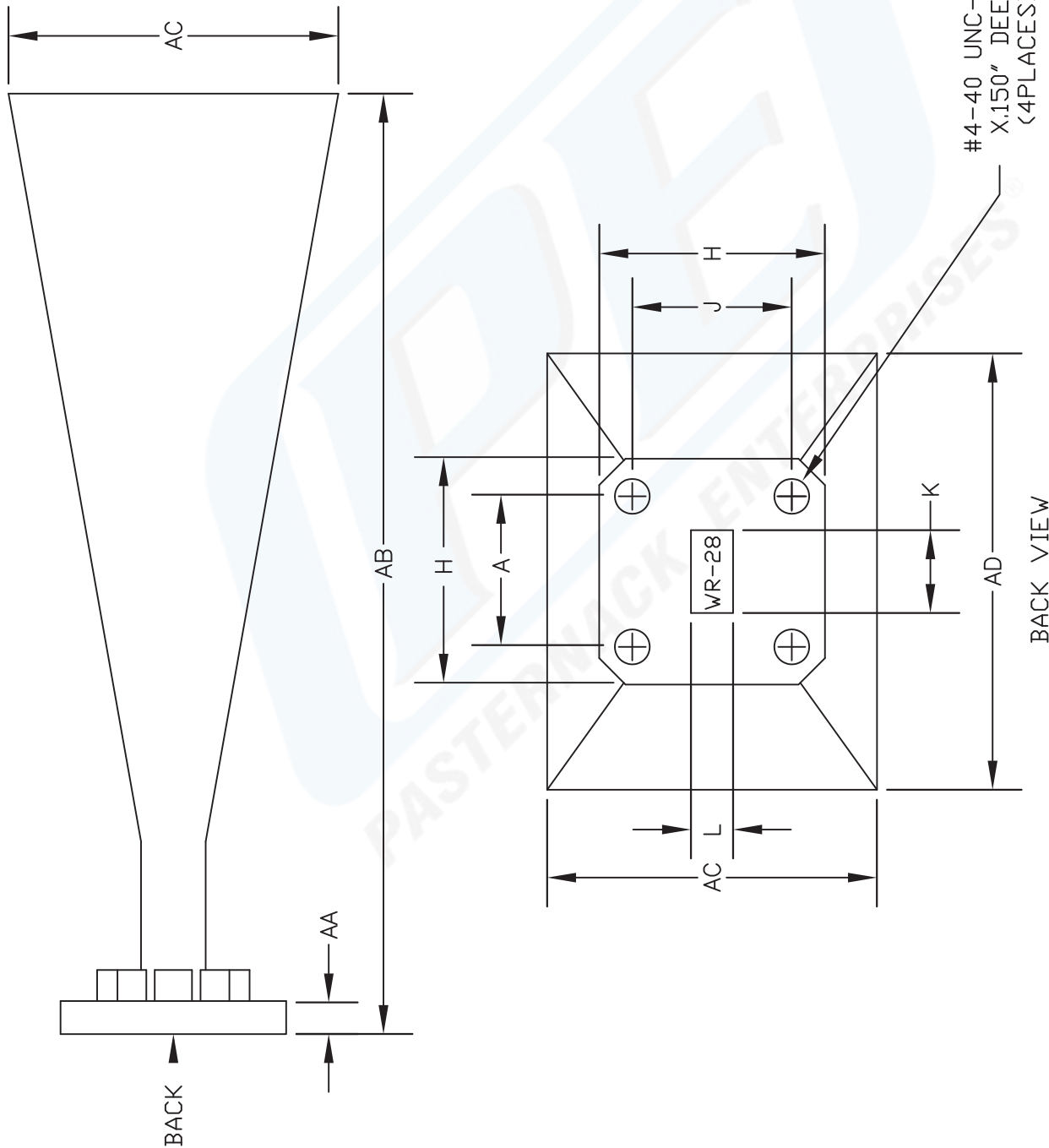
The information contained in this document is accurate to the best of our knowledge and representative of the part described herein. It may be necessary to make modifications to the part and/or the documentation of the part, in order to implement improvements. Pasternack reserves the right to make such changes as required. Unless otherwise stated, all specifications are nominal.

# PE9850-20 CAD Drawing

WR-28 Standard Gain Horn Antenna Operates From 26.5 GHz to 40 GHz With a Nominal 20 dB Gain WR-28 Input

WR28 Dimension	Inches	mm
A	0.500	12.70
H	0.750	19.05
J	0.530	13.46
K ( $\pm 0.010$ )	0.280	7.11
L ( $\pm 0.010$ )	0.140	3.56

AA	0.105	2.67
AB	3.125	79.38
AC	1.095	27.81
AD	1.450	36.83



NOTES:  
 1. UNLESS OTHERWISE SPECIFIED ALL DIMENSIONS ARE NOMINAL.  
 2. ALL SPECIFICATIONS ARE SUBJECT TO CHANGE WITHOUT NOTICE AT ANY TIME.  
 3. DIMENSIONS ARE IN INCHES [mm].

DWG TITLE  
**PE9850-20**

**PASTERNAK ENTERPRISES, INC.**  
 P O BOX 16759, IRVINE, CA 92623  
 PHONE (949) 261-1920 FAX (949) 261-7451  
 WEB ADDRESS: [www.pasternack.com](http://www.pasternack.com)  
 E-MAIL ADDRESS: [sales@pasternack.com](mailto:sales@pasternack.com)  
**COAXIAL & FIBER OPTICS**  
 ESTABLISHED 1972



REV. -	FSCM NO. 53919	CAD FILE 091106	SCALE N/A	SIZE A	127
--------	----------------	-----------------	-----------	--------	-----